

# AFCO Industries, Inc.

## TABLE OF CONTENTS

**General Information**

**Inswing-Fixed & Adjustable Sills 1**

**Sidelite/Patio Sills & Components 8**

**Outswing-Fixed & Adjustable Sills 17**

**Handicap Sills 21**

**Sill Extenders 24**

**T Astragals & Security Cover 26**

**Door Bottoms 29**

**Weatherstrip 33**

**Sill Options & Accessories 34**

**Technical Information & Drawings A-H**

# GENERAL INFORMATION

## History

AFCO Industries has been a producer of door components and weatherstrip for over 75 years. AFCO is one of the most vertically integrated manufacturing plants in the country and is the only true primary producer of aluminum/vinyl millwork products in the US.

## Ordering

An experienced customer service staff is on hand from 8:00 am to 5:00 pm CST to assist in product selection and order entry. **To help assure the accuracy of your order, orders must be faxed or E-mailed to customer service. A confirmation will be sent within 48 hours of an accepted order for your verification. Corrections must be made within 24 hours to assure prompt accurate delivery of product.**

## Sizes

When ordering any product shown as “nominal length” in the catalog, the exact length requirement must be specified along with other critical information (riser color, riser height, substrate choice, etc...) **Failure to provide all critical information could delay shipment of your order.**

## Terms

Payment terms are net 30 days.

## Pricing

All orders are subject to acceptance by AFCO Industries, Inc. and all prices and terms are subject to change without notice.

## Minimum Order

Minimum quantity for any item by size and type is one carton. Inquire through Customer Service for broken carton charges. A \$15.00 handling charge will be added to any invoice with a net total of less than \$50.00. Add 10% when exact quantities are requested on stocking orders, otherwise AFCO reserves the right to over/under ship by 10%

## Freight Allowance

AFCO reserves the right to ship all merchandise via the most economical route and carrier. Orders that total \$2000.00 or more will be shipped prepaid and allowed within the continental US. Any order less than this amount will be shipped prepaid with the freight added along with a \$12.00 processing fee.

## Claims for Shipping Damage, Shortage or Wrong Material

In order to service you faster, all claims **must** be made by the close of the next business day. Freight damage and carton and or skid shortages must be noted on the bill of lading when receiving. **Do not sign delivery receipt until all items are counted correctly.** Wrong material must be reported to Customer Service as soon as it is noticed, so that we may correct the problem promptly. **After a six month period AFCO can no longer assume responsibility for wrong material. No credit will be given if merchandise is not returned correctly and box counts are not correctly noted.**

## Returned Merchandise

**Merchandise to be returned “MUST” have prior written approval from AFCO.** Incoming and outgoing freight, plus a 25% re-stocking fee will be charged on all non-defective product.

# BOX COUNT

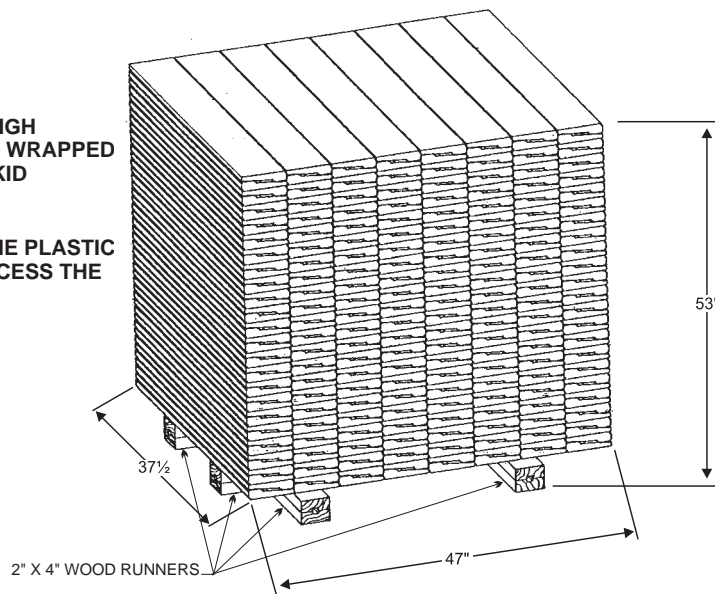
SILL PACKAGE	NOMINAL LENGTH	QUANTITY PER PACK
STANDARD PACK	2/8 - 3/0	10
	6/0	10
	150"	5
BULK PACK (Skid Only) See diagram below	2/8 - 3/0	352
	6/0	252
BULK PACK (W/Trays)	2/8 - 3/0	200

CATEGORY	QUANTITY PER PACK
T-ASTRAGAL	10
MULLION	5
DOOR BOTTOMS	25/40

**BULK PACK FEATURES:**

- CAN BE STACKED 3 HIGH
- BANDED AND SHRINK WRAPPED
- 352 PCS PER BULK SKID

**TO OPEN BULK SKID:**  
CUT BANDING AND CUT THE PLASTIC ONLY FAR ENOUGH TO ACCESS THE THRESHHOLDS NEEDED

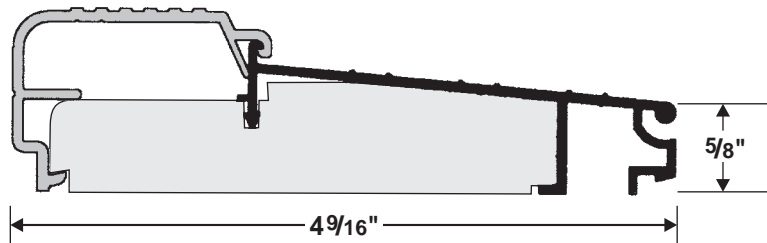


# FIXED INSWING



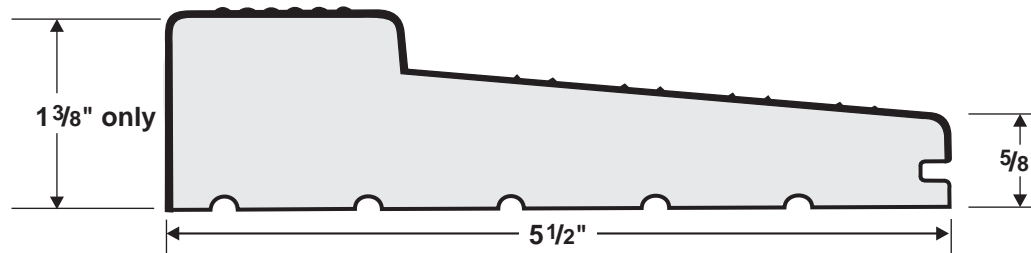
## FEATURES INCLUDE

- Snap-on vinyl cap - chocolate color
- Width can be modified with extenders (See Pages 24, 25)
- Available finishes include mill, dark bronze, brite brass
- Wide range of options, including notches, special lengths, tape, substrates (See Page 34)
- Choice of heights: 1 1/8", 1 1/4", 1 3/8" (1 1/4" shown)



PART #	SLOPE	CAP	NOMINAL LENGTH	MILL FINISH	BRONZE/ BRITE BRASS
A-276	5°	VINYL	2/8	\$11.68	\$18.00
			3/0	\$12.47	\$18.85
			6/0	\$26.16	\$39.54

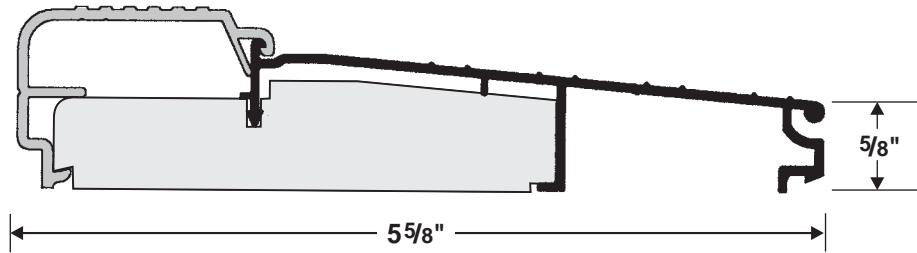
- Durable extruded finish
- No cap breakage
- Maximum holding power for screws and staples
- All solid plastic construction
- Full bottom for better sealing
- More area to attach jambs



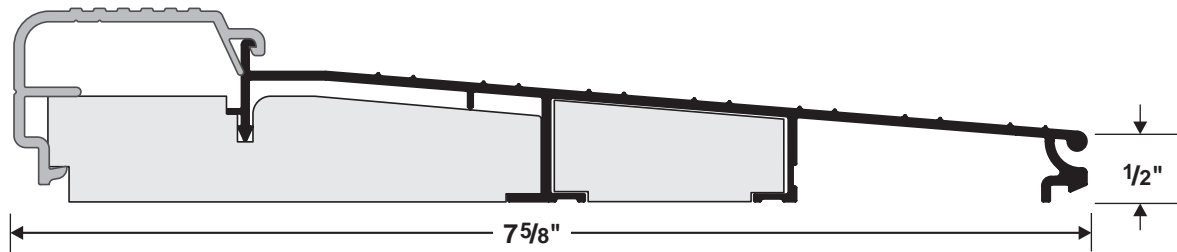
PART #	SLOPE	FIXED CAP	NOMINAL LENGTH	SINGLE COLOR Dk. Bronze	2 COLOR Dk. Bronze with Choc. Cap
ASAP Fixed	5°	SOLID PLASTIC	2/8	\$12.17	\$12.17
			3/0	\$12.85	\$12.85
			6/0	\$26.99	\$26.99

0609

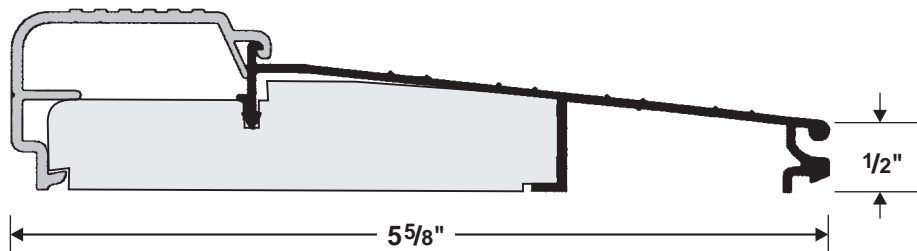
# FIXED INSWING



PART #	SLOPE	CAP	NOMINAL LENGTH	MILL FINISH	BRONZE/ BRITE BRASS
A-280	5°	VINYL	2/8	\$12.25	\$18.62
			3/0	\$13.15	\$19.53
			6/0	\$27.57	\$40.97



PART #	SLOPE	CAP	NOMINAL LENGTH	MILL FINISH	BRONZE/ BRITE BRASS
P-6916	5°	HARDWOOD or SYNTHETIC	2/8	\$24.86	\$40.35
			3/0	\$28.00	\$47.36
			6/0	\$60.48	\$98.69



PART #	SLOPE	CAP	NOMINAL LENGTH	MILL FINISH	BRONZE/ BRITE BRASS
A-296	6/7°	VINYL	2/8	\$12.25	\$18.62
			3/0	\$13.15	\$19.53
			6/0	\$27.57	\$40.97

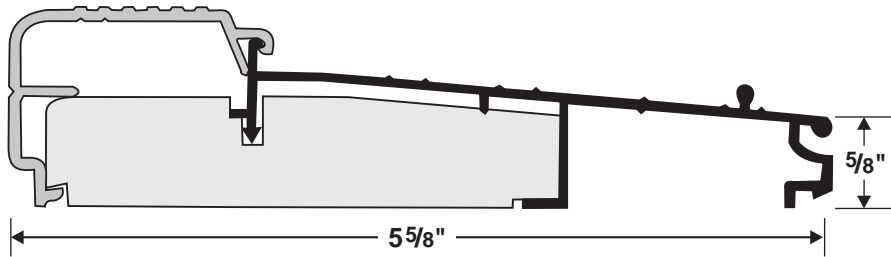
0609

# FIXED INSWING



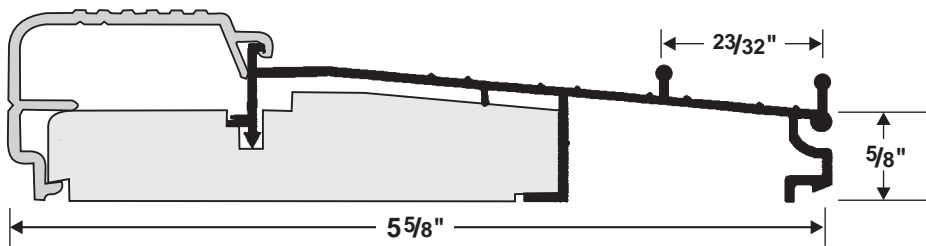
PART #	SLOPE	CAP	NOMINAL LENGTH	MILL FINISH	BRONZE/ BRITE BRASS
A-271	6°	ALUMINUM	2/8	\$16.45	N/A
			3/0	\$18.50	N/A
			6/0	\$38.75	N/A

# FIXED INSWING PATIO SILLS



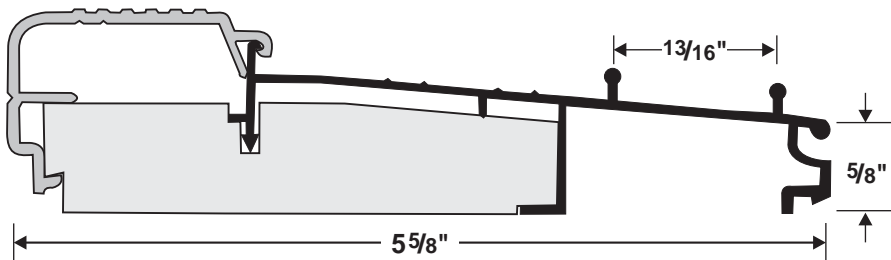
P-2184 1 1/4" or 1 3/8" only.

PART #	SLOPE	CAP	NOMINAL LENGTH	MILL FINISH	BRONZE/ BRITE BRASS
P-2184	5°	VINYL	6/0	\$33.57	N/A



P-2284 1 1/4" or 1 3/8" only.

PART #	SLOPE	CAP	NOMINAL LENGTH	MILL FINISH	BRONZE/ BRITE BRASS
P-2284	5°	VINYL	6/0	\$35.57	N/A



J-3284 1 1/4" or 1 3/8" only.

PART #	SLOPE	CAP	NOMINAL LENGTH	MILL FINISH	BRONZE/ BRITE BRASS
J-3284	5°	VINYL	6/0	\$33.57	\$44.65

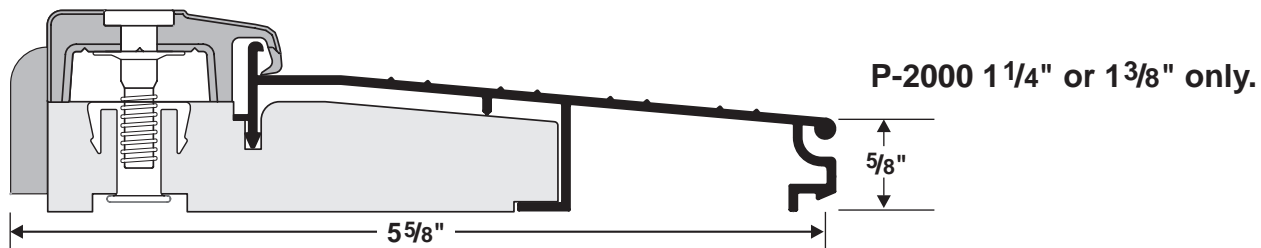
PLEASE SEE PAGE 11 FOR PATIO DOOR APPLICATION

# ADJUSTABLE INSWING

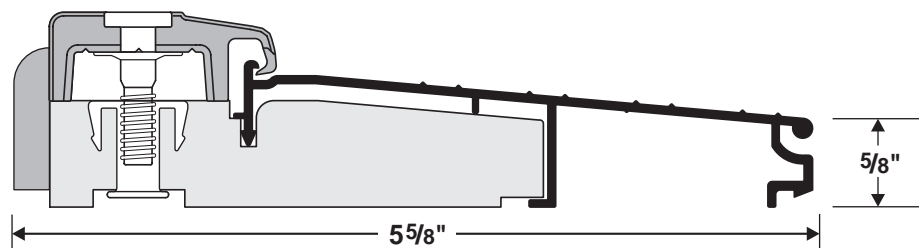


## FEATURES INCLUDE

- One-piece riser nosing (2 piece upon request)
- Width can be modified with extenders (see Pages 24, 25)
- Available finishes include mill, dark bronze, brite brass and brushed chrome
- Wide range of options including notches, special lengths, protective tape, substrates (see Page 34)
- Choice of heights: 1 1/8", 1 1/4", 1 3/8". (Synthetic 1 1/4" shown)
- Choice of Synthetic riser types: Chocolate, Mahogany, Woodgrain
- Choice of screw color: Standard Brass, Mill and Bronze (upcharge for bronze)



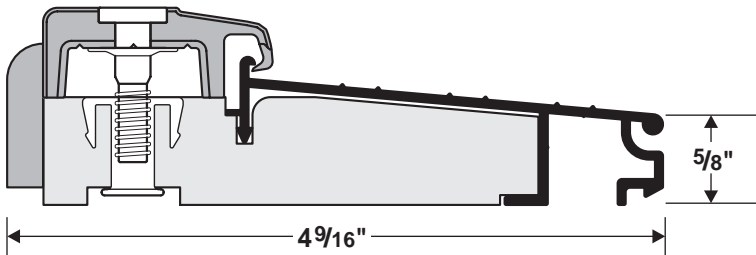
PART #	SLOPE	RISER/ NOSING	NOMINAL LENGTH	MILL FINISH	BRONZE/ BRITE BRASS
P-2000	5°	HARDWOOD or SYNTHETIC or ALUMINUM	2/8	\$19.23	\$25.74
			3/0	\$20.26	\$26.77
			6/0	\$42.53	\$56.20



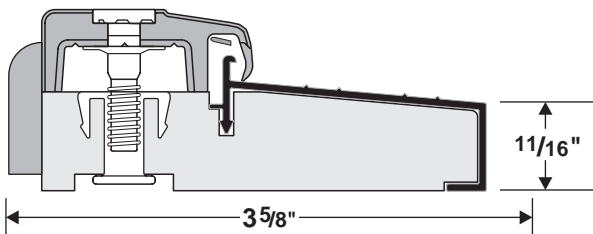
PART #	SLOPE	RISER/ NOSING	NOMINAL LENGTH	MILL FINISH	BRONZE/ BRITE BRASS
A-280	5°	HARDWOOD or SYNTHETIC or ALUMINUM	2/8	\$19.23	\$25.74
			3/0	\$20.26	\$26.77
			6/0	\$42.53	\$56.20

0609

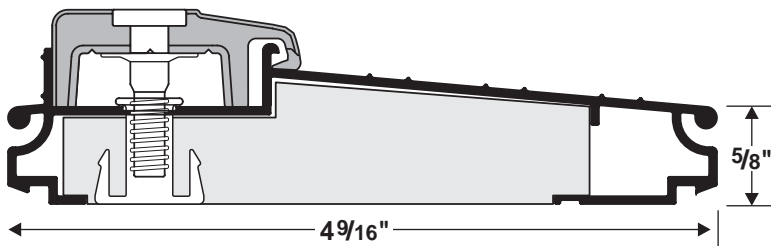
# ADJUSTABLE INSWING



PART #	SLOPE	RISER/ NOSING	NOMINAL LENGTH	MILL FINISH	BRONZE/ BRITE BRASS
A-276	5°	HARDWOOD or SYNTHETIC or ALUMINUM	2/8	\$16.73	\$23.21
			3/0	\$17.61	\$24.10
			6/0	\$36.98	\$50.61



PART #	SLOPE	RISER/ NOSING	NOMINAL LENGTH	MILL FINISH	BRONZE/ BRITE BRASS
A-185	5°	HARDWOOD or SYNTHETIC or ALUMINUM	2/8	\$14.73	N/A
			3/0	\$15.61	N/A
			6/0	\$32.98	N/A



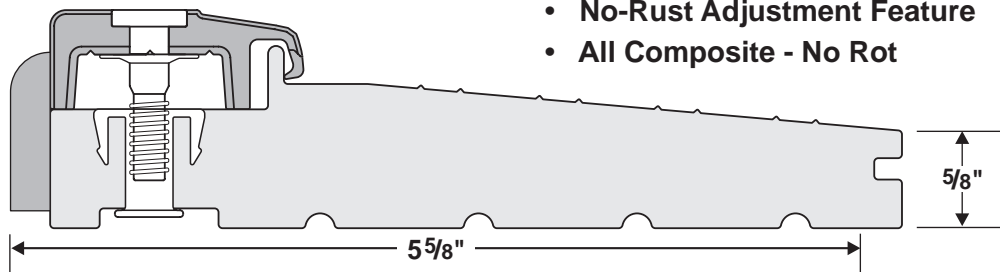
PART #	SLOPE	RISER	NOMINAL LENGTH	MILL FINISH	BRONZE/ BRITE BRASS
A-125	5°	HARDWOOD or SYNTHETIC or ALUMINUM	2/8	\$18.73	N/A
			3/0	\$19.63	N/A
			6/0	\$36.98	N/A

0609

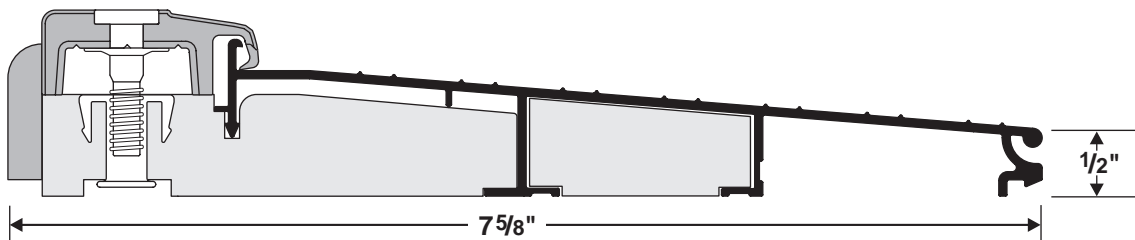
# ADJUSTABLE INSWING



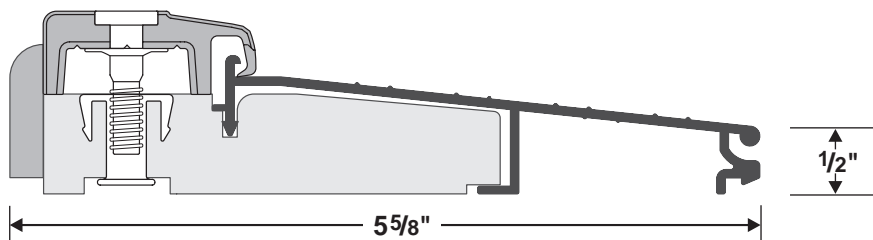
- High-Dam Design
- No-Rust Adjustment Feature
- All Composite - No Rot



PART #	SLOPE	ADJUSTABLE RISER	NOMINAL LENGTH	DK. BRONZE
ASAP Adjustable	5°	SYN Choc, Woodgrain Oak or Woodgrain Mahogany	2/8	\$15.28
			3/0	\$15.98
			6/0	\$31.95



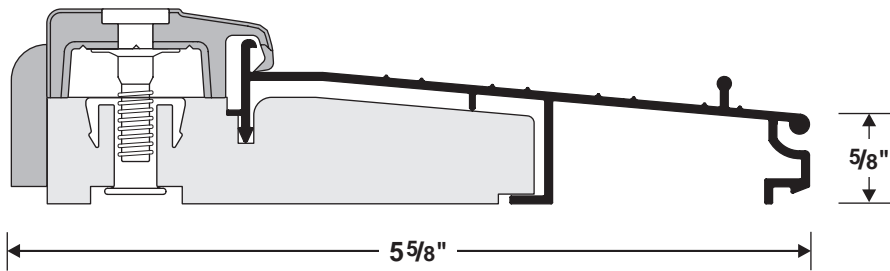
PART #	SLOPE	RISER/ NOSING	NOMINAL LENGTH	MILL FINISH	BRONZE/ BRITE BRASS
P-6916	5°	HARDWOOD or SYNTHETIC	2/8	\$37.20	\$52.69
			3/0	\$40.72	\$60.08
			6/0	\$87.96	\$126.17



PART #	SLOPE	RISER/ NOSING	NOMINAL LENGTH	MILL FINISH	BRONZE/ BRITE BRASS
A-296	6/7°	HARDWOOD or SYNTHETIC or ALUMINUM	2/8	\$19.23	\$25.74
			3/0	\$20.26	\$26.77
			6/0	\$42.53	\$56.20

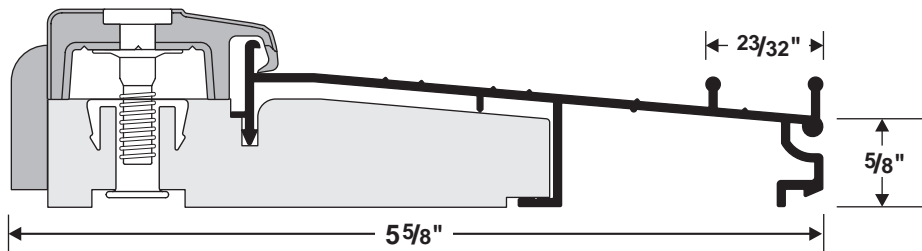
0609

# ADJUSTABLE INSWING PATIO SILLS



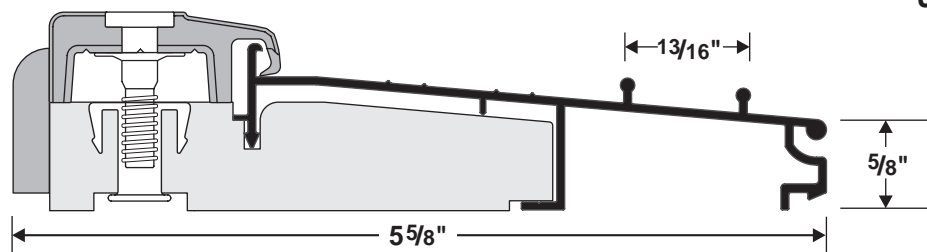
P-2184 1 1/4" or 1 3/8" only.

PART #	SLOPE	RISER/ NOSING	NOMINAL LENGTH	MILL FINISH	DK. BRONZE/ BRITE BRASS
P-2184	5°	HARDWOOD OR SYNTHETIC OR ALUMINUM	6/0	\$47.00	N/A



P-2284 1 1/4" or 1 3/8" only.

PART #	SLOPE	RISER/ NOSING	NOMINAL LENGTH	MILL FINISH	DK. BRONZE/ BRITE BRASS
P-2284	5°	HARDWOOD OR SYNTHETIC OR ALUMINUM	6/0	\$50.00	N/A



J-3284 1 1/4" or 1 3/8" only.

PART #	SLOPE	RISER/ NOSING	NOMINAL LENGTH	MILL FINISH	DK. BRONZE/ BRITE BRASS
J-3284	5°	HARDWOOD OR SYNTHETIC OR ALUMINUM	6/0	\$47.00	\$62.51

PLEASE SEE PAGE 11 FOR PATIO DOOR APPLICATION

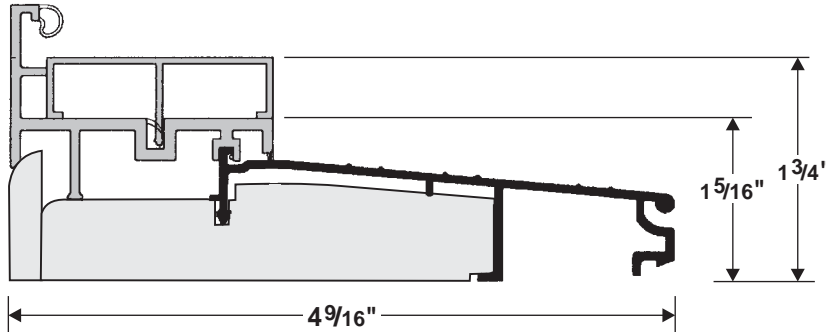
0609

# SIDELITE SILLS FOR BOXED SIDELITES

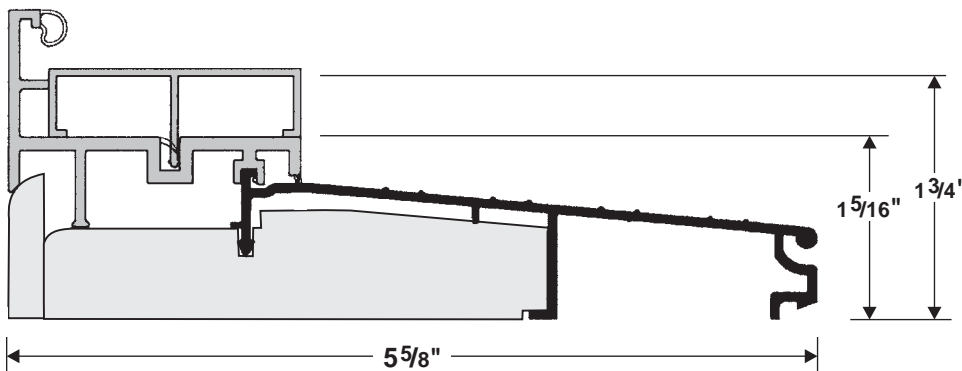


## FEATURES INCLUDE

- Width can be modified with extenders (see Pages 24, 25)
- Available finishes include mill, dark bronze, brite brass
- Choice of nosing types: Hardwood or Synthetic
- Available in longer lengths



PART #	WIDTH	SLOPE	NOSING	NOMINAL LENGTH	MILL FINISH	BRONZE/ BRITE BRASS
SS-276	4 9/16"	5°	HARDWOOD or SYNTHETIC	12"	\$ 8.30	\$10.76
				14"	\$ 9.68	\$12.54
				16"	\$ 9.68	\$12.54
				36"	\$24.90	\$32.27



PART #	WIDTH	SLOPE	NOSING	NOMINAL LENGTH	MILL FINISH	BRONZE/ BRITE BRASS
SS-296	5 5/8"	6°/7°	HARDWOOD or SYNTHETIC	12"	\$ 9.20	\$11.74
SS-280		5°		14"	\$10.76	\$13.69
SS-2000				16"	\$10.76	\$13.69
				36"	\$27.60	\$35.21

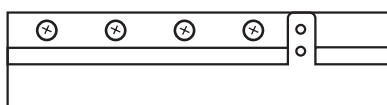
0609

# ENTRY DOOR - Continuous Sidelite Systems

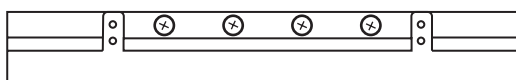


## FEATURES INCLUDE

- Single or double sidelite configuration
- Width can be modified with extenders (see Pages 24, 25)
- Available finishes include mill, dark bronze, brite brass
- Choice of heights: 1 1/8", 1 1/4", 1 3/8" (P-2000 1 1/4" and 1 3/8" only)
- Utilizes fixed cap or sash adapter under sash (Please specify)



**SINGLE  
SIDELITE**



**DOUBLE  
SIDELITE**

## 5 5/8" FIXED

PART #	SLOPE	LENGTH	CAP	MILL FINISH	BRONZE/ BRITE BRASS	
A-280	5°	Up to 75"	VINYL	Single	\$35.07	\$48.54
A-296	6°/7°			Double	\$42.57	\$56.12

ABOVE PRICES INCLUDE:

1. Sidelite sash adapter (Fixed cap can be substituted at no charge)
2. Sill prepared for mullion or 1 1/2" double jamb dado

## 5 5/8" ADJUSTABLE

PART #	SLOPE	LENGTH	RISER/NOSING	MILL FINISH	BRONZE/ BRITE BRASS	
ASAP	5°	Up to 75"	HARDWOOD or SYNTHETIC	Single	\$50.03	\$63.77
A-280	5°			Double	\$57.53	\$71.35
A-296	6°/7°					
P-2000	5°					

ABOVE PRICES INCLUDE:

1. Sidelite sash adapter (fixed cap can be substituted at no charge)
2. Sill prepared for mullion or 1 1/2" double jamb dado

## SPECIAL LENGTHS

76" - 150" above price X 3

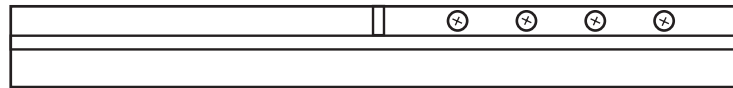
0609

# PATIO DOOR SILLS



## FEATURES INCLUDE

- Double, triple, or quad configuration
- Available finishes include mill, dark bronze, brite brass
- Choice of heights: 1 1/4" and 1 3/8"
- Utilizes fixed cap or adapter under inactive door (please specify)



DOUBLE PATIO DOOR  
(Left Hand Pictured)

## 5 5/8" FIXED SILL w/ SCREEN RAIL

PART #	SLOPE	LENGTH	CAP	MILL FINISH	BRONZE/ BRITE BRASS
J-3284	5°	Up to 75"	VINYL	\$50.65	\$63.49
P-2184	5°				
<b>ABOVE PRICES INCLUDE:</b> 1. Patio fixed door adapter (fixed cap can be substituted at no charge) 2. Sill prepared for mullion or 1 1/2" double jamb dado					

NOTE: PLEASE SEE PAGE 4 FOR SILL ILLUSTRATIONS

## 5 5/8" ADJUSTABLE SILL w/SCREEN RAIL

PART #	SLOPE	LENGTH	RISER/ NOSING	MILL FINISH	BRONZE/ BRITE BRASS
J-3284	5°	Up to 75"	HARDWOOD OR SYNTHETIC	\$64.63	\$77.62
P-2184	5°				N/A
<b>ABOVE PRICES INCLUDE:</b> 1. Patio fixed door adapter (fixed cap can be substituted at no charge) 2. Sill prepared for mullion or 1 1/2" double jamb adaptor (DJA)					

NOTE: PLEASE SEE PAGE 8 FOR SILL ILLUSTRATIONS

## SPECIAL LENGTHS

76" - 150" above price X 3

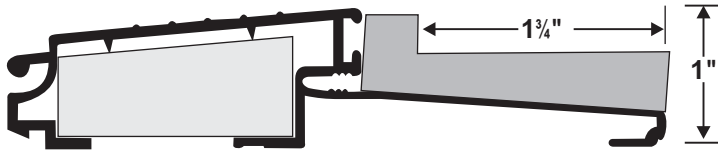
See Page 12, 13, 14 for Patio Components

0609

# SIDELIGHT/PATIO COMPONENTS



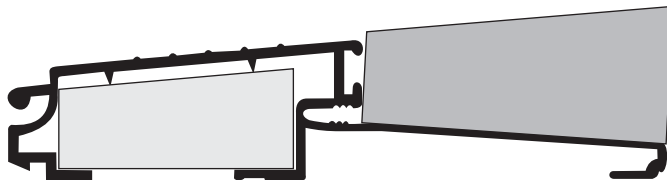
## DD-233 PATIO DOOR/SIDELITE SASH ADAPTER For Outswing Bumper Applications With Sidelight Adaptor Installed



### Specify Sill Part #

PART #	16"	36"
DD-233-O Base	\$4.00	\$9.00

## With Double Jam Adaptor Installed

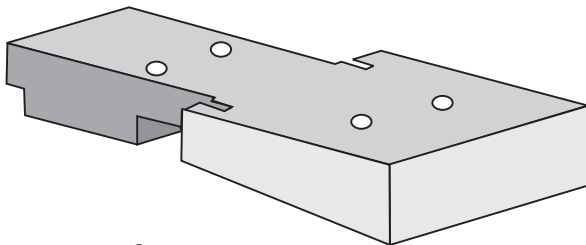


### Specify Sill Part #

PART #	Black
DJA49-O	\$ 9.75

See Page "F" For Use

## DOUBLE JAMB ADAPTER Eliminates Dado in Sill, Converts Double Jambs to Sill Profile



4<sup>9</sup>/<sub>16</sub>" or 6<sup>9</sup>/<sub>16</sub>" Available

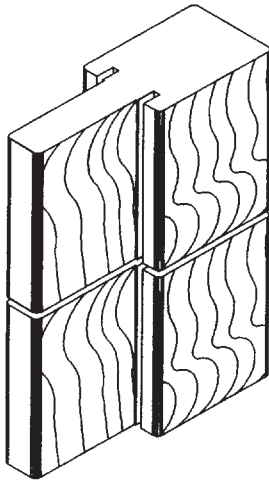
PART #	Black
4 <sup>9</sup> / <sub>16</sub> " DJA49	\$ 9.75
6 <sup>9</sup> / <sub>16</sub> " DJA69	\$13.75

See Page "F" For Use

# SIDELITE/PATIO COMPONENTS

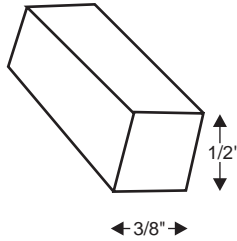


## ONE PIECE MULLION - Available in 81" & 96" (Paint Grade)



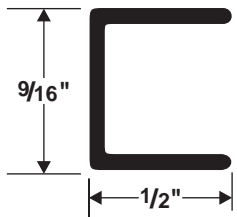
PART #	LENGTH	MULLION BARE	MULLION PRIMED
1M45 (1")	81"	\$55.00	\$61.00
	96"	\$64.00	\$70.00
15M45 (1½")	81"	\$62.00	\$68.00
	96"	\$73.50	\$79.50

Prep for hinge & strike - Add \$21.00



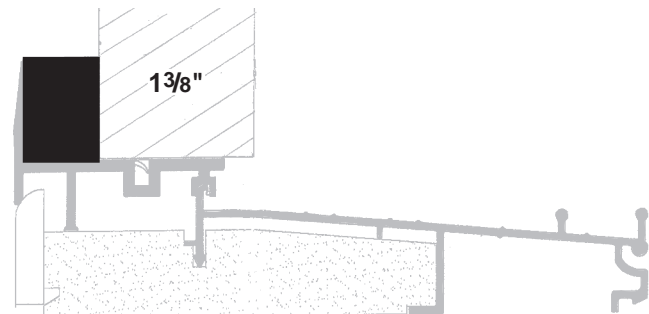
## PLASTIC SIDELITE/DOOR STOP

PART #	WHITE ONLY
SDS-12	29¢/ft. 175 pcs/box - 81" 100 pcs/box - 98"



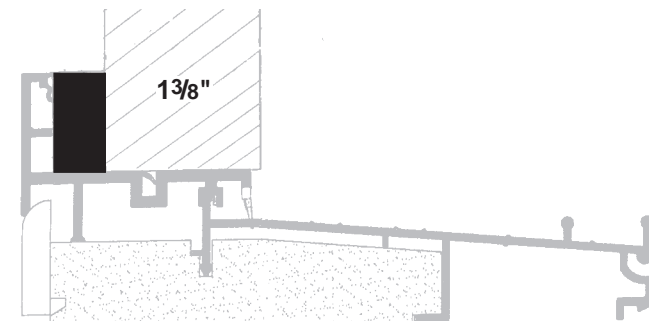
## PLASTIC U-CHANNEL RETURN For Screens

PART #	BOX PACK	LENGTH	WHITE ONLY
SS-6/8	40	77 <sup>5</sup> / <sub>16</sub>	\$3.75
SS-8/0	40	93 <sup>5</sup> / <sub>16</sub>	\$4.98



## 1 3/8" SIDELITE INSERT (For use with DD-232-N)

PART #	LENGTH	CHOC
DD-235	16"	\$2.75



## 1 3/8" SIDELITE INSERT (For use with DD-230-N)

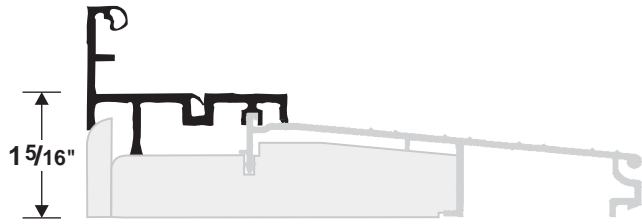
PART #	LENGTH	CHOC
DD-236	16"	\$2.75

0609

# SIDELITE/PATIO COMPONENTS



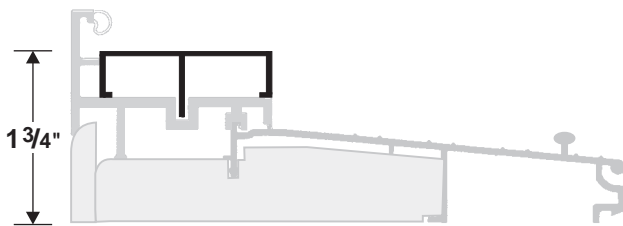
## SIDELITE/PATIO ADAPTERS (Chocolate)



**PATIO DOOR/ SIDELITE SASH ADAPTER  
DD230-N**

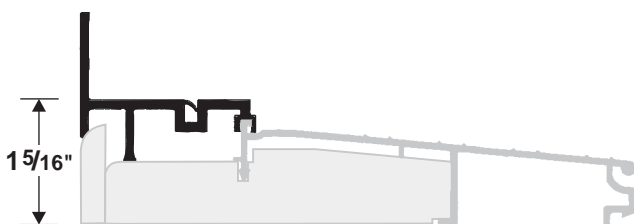
For use with no weatherstrip in Jamb (Direct Set)

PART #	16"	36"	75"
DD230-N Base	\$4.00	\$9.00	\$18.00



**DD231 ADAPTOR INSERT 7/16"**  
(Replaces door sweep)  
(Requires DD230-N or DD232-N)

PART #	16"	36"	75"
DD231-N 7/16" Insert	\$1.75	\$4.00	\$8.00



**PATIO DOOR/ SIDELITE SASH ADAPTER  
DD232-N**

For use with weatherstrip in Jamb

PART #	16"	36"	75"
DD232-N Base	\$4.00	\$9.00	\$18.00

0609

# MULL KITS



Features Include  
 \* ALL-IN-ONE BOX – PACKAGING \*  
 \* FIXED OR ADJUSTABLE \*

KIT STYLE	TYPE	SILL #	SCREEN RAIL	MULL	MILL FINISH	BRONZE/ BRITE BRASS
PATIO	ADJ	P-2184	SINGLE	1"	\$198.63	\$213.97
			SINGLE	1½"	\$205.63	\$220.69
	FIXED	P-2184	SINGLE	1"	\$182.65	\$197.82
			SINGLE	1½"	\$200.65	\$205.90

**PATIO KIT INCLUDES:** Sill w/Fixed Door Adapter, Fixed Door Stop, Primed Mull w/prep, Header & Top Screen Rail

See Page 11 for Sill Details

KIT STYLE	TYPE	SILL #	MULL	MILL FINISH	BRONZE/ BRITE BRASS
CONTINUOUS DOUBLE SIDELITE	ADJ	A-280	1"	\$283.03	\$301.12
		A-296 P-2000	1½"	\$299.03	\$316.27
	FIXED	A-280 A-296	1"	\$267.07	\$283.87
			1½"	\$282.07	\$300.03

**SIDELITE KIT INCLUDES:** Sill w/Fixed Door Adapter, Sidelite Stop, 2 Primed Mulls w/prep & Header

See Page 10 for Sill Details

Call Customer Service for Single Sidelite Price

# SIDELITE/PATIO COMPONENTS



## UPPER SCREEN RAIL FOR SINGLE SCREEN (Drilled w/Fasteners)



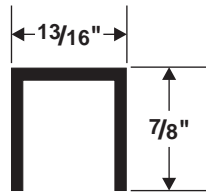
PART #	LENGTH	WHITE/ BRONZE
PD-10	75"	\$7.00

## UPPER SCREEN RAIL FOR DOUBLE SCREEN (Drilled w/Fasteners)



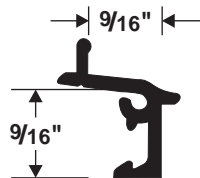
PART #	LENGTH	WHITE
PD-210	75"	\$11.50

## U CHANNEL



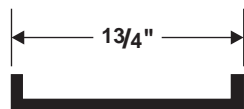
PART #	LENGTH	WHITE/ BRONZE
PD-12	75"	\$7.00

## LOWER SCREEN RAIL



PART #	SCREEN LENGTH	MILL/ BRONZE
PD-11	75"	\$7.00

## HINGE SPACER



PART #	LENGTH	WHITE VINYL
1208	79"	\$2.15

## VINYL FILLER STRIP (used at jambs in place of quarter round)



PART #	LENGTH	WHITE VINYL
FS-13	81"	\$2.50

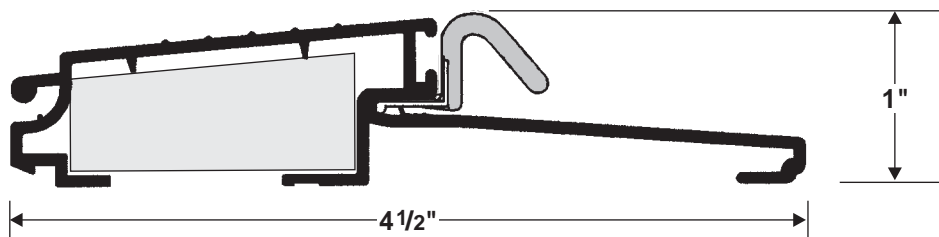
0609

# OUTSWING SILLS

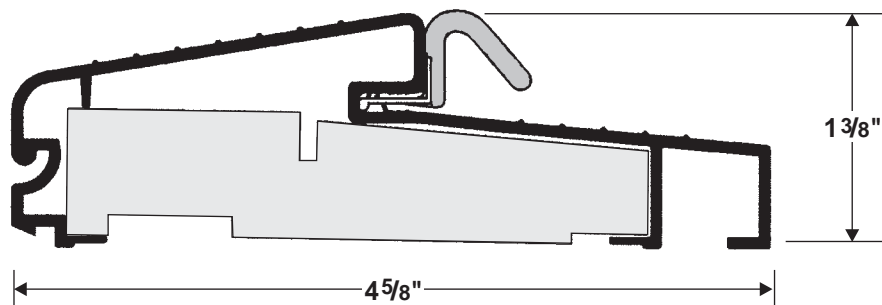


## FEATURES INCLUDE

- Choice of Synthetic bumper types: Chocolate, Mahogany and Woodgrain
- Width can be modified with extenders (see Pages 24, 25)
- Available finishes include mill, dark bronze and brite brass and brushed chrome
- Wide range of notching options: “L” notches, “C” notches and “triple notches” see page C

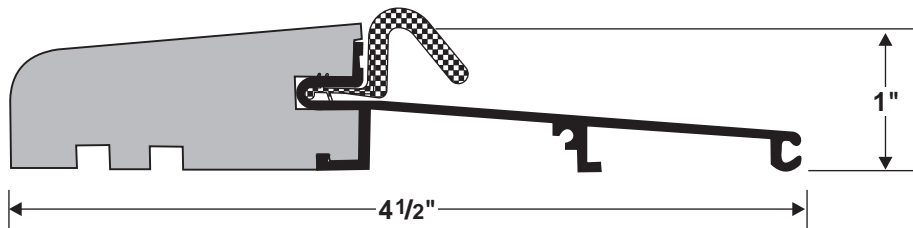


PART #	SLOPE	BUMPER TYPE	NOMINAL LENGTH	MILL FINISH	BRONZE/ BRITE BRASS
A-117 ALUMINUM BUMPER STYLE	5°	FOAM	2/8	\$11.48	\$18.02
			3/0	\$12.35	\$18.88
			6/0	\$25.93	\$39.65

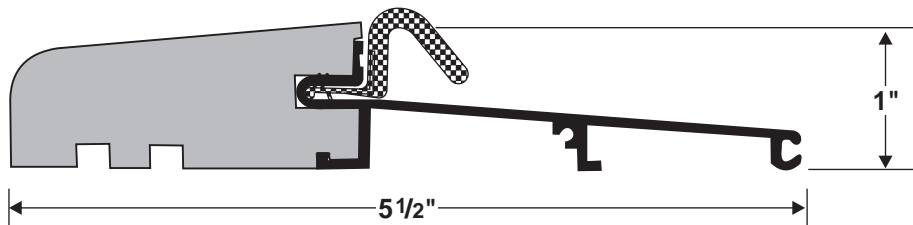


PART #	SLOPE	BUMPER TYPE	NOMINAL LENGTH	MILL FINISH	BRONZE/ BRITE BRASS
A-496 ALUMINUM BUMPER STYLE	5°	FOAM	2/8	\$13.25	N/A
			3/0	\$14.50	N/A
			6/0	\$30.45	N/A

# OUTSWING SILLS

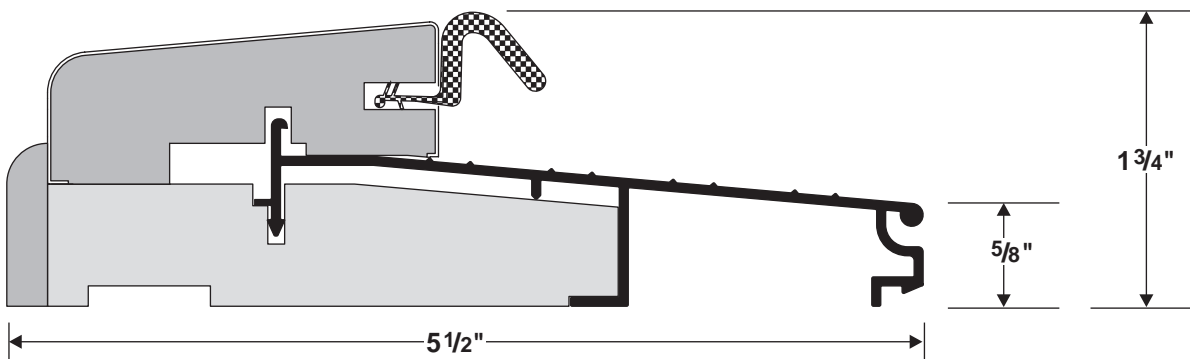


PART #	SLOPE	BUMPER TYPE	NOMINAL LENGTH	MILL FINISH	BRONZE/ BRITE BRASS
A-295 WOODGRAIN COMPOSITE/ALUMINUM BUMPER STYLE	5°	FOAM	2/8	\$21.80	\$29.65
			3/0	\$22.70	\$30.55
			6/0	\$46.25	\$62.70



2" ASAP Extender  
Fits For 6<sup>9</sup>/<sub>16</sub>"  
Applied at Factory

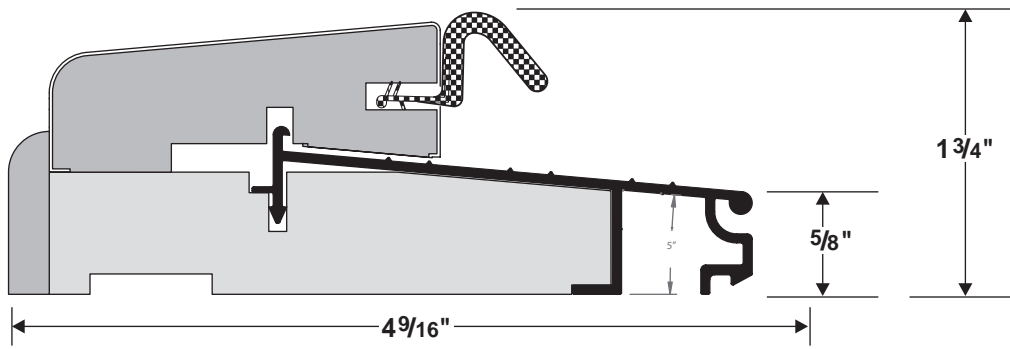
PART #	SLOPE	BUMPER TYPE	NOMINAL LENGTH	MILL FINISH	BRONZE/ BRITE BRASS
A-297 WOODGRAIN COMPOSITE/ALUMINUM BUMPER STYLE	5°	FOAM	2/8	\$24.50	\$32.84
			3/0	\$25.40	\$33.69
			6/0	\$55.00	\$72.26



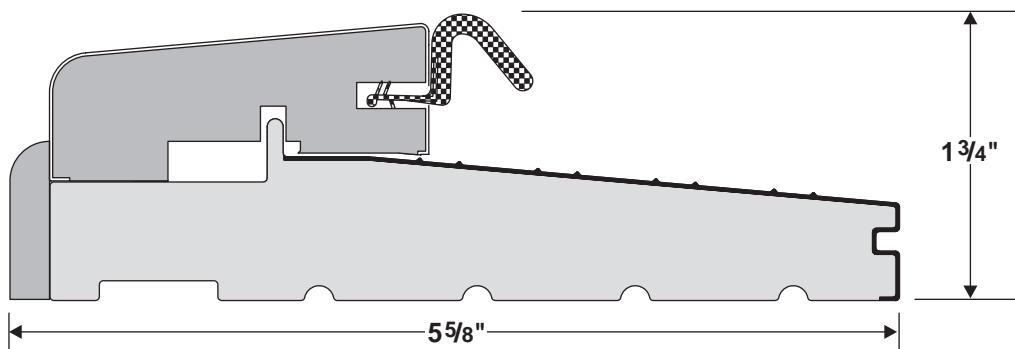
PART #	SLOPE	BUMPER TYPE	NOMINAL LENGTH	MILL FINISH	BRONZE/ BRITE BRASS
J-2297 COMPOSITE/ALUMINUM BUMPER STYLE	5°	FOAM	2/8	\$25.15	\$33.15
			3/0	\$27.95	\$35.95
			6/0	\$58.70	\$74.70

0609

# OUTSWING SILLS

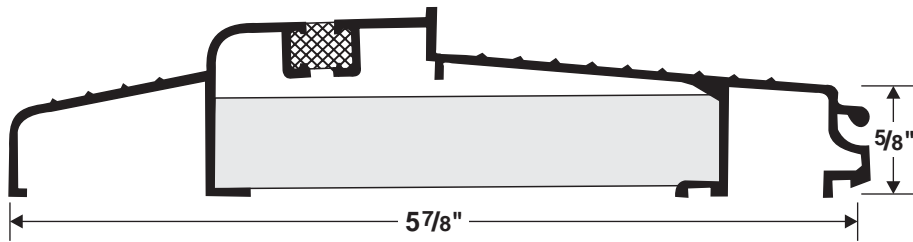


PART #	SLOPE	BUMPER TYPE	NOMINAL LENGTH	MILL FINISH	BRONZE/ BRITE BRASS
<b>J-2276 COMPOSITE/ALUMINUM BUMPER STYLE</b>	5°	FOAM	2/8	\$22.15	\$29.15
			3/0	\$24.95	\$31.95
			6/0	\$52.70	\$66.70

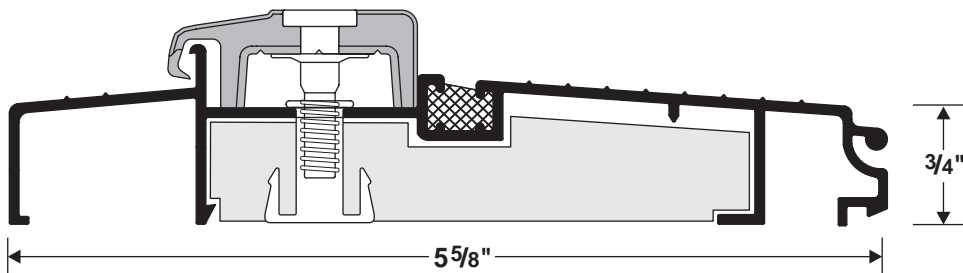


PART #	SLOPE	BUMPER TYPE	NOMINAL LENGTH	DARK BRONZE
<b>ASAP BUMPER</b>	5°	FOAM	2/8	\$26.10
			3/0	\$28.40
			6/0	\$57.75

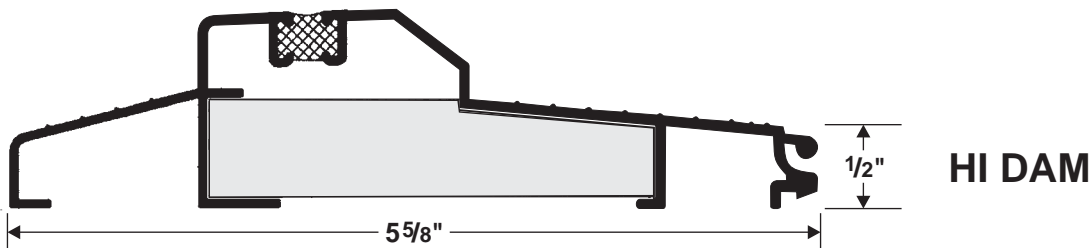
# OUTSWING SILLS



PART #	SLOPE	CAP	NOMINAL LENGTH	MILL FINISH	BRONZE/ BRITE BRASS
A-111	5°	THERMAL BREAK	2/8	\$20.55	N/A
			3/0	\$21.46	N/A
			6/0	\$45.08	N/A



PART #	SLOPE	RISER PART #	RISER TYPE	NOMINAL LENGTH	MILL FINISH	BRONZE/ BRITE BRASS
A-119	5°	1 1/4" or 1 3/8"	HARDWOOD OR SYNTHETIC OR ALUMINUM	2/8	\$28.14	\$34.73
				3/0	\$29.67	\$36.27
				6/0	\$62.31	\$76.16



PART #	SLOPE	CAP	NOMINAL LENGTH	MILL FINISH	BRONZE/ BRITE BRASS
A-196	4.5°	THERMAL BREAK	2/8	\$20.92	N/A
			3/0	\$22.39	N/A
			6/0	\$50.72	N/A

0609

# HANDICAP SILLS



Options Include: Brackets applied, composite substrate and holes drilled.  
 "C" and "L" notching - must have drawing - see page C,

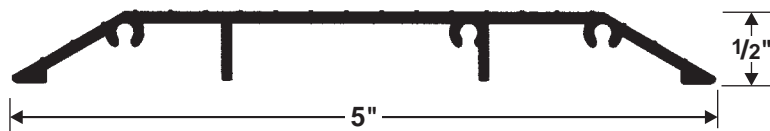


PART #	HEIGHT	NOMINAL LENGTH	MILL FINISH	BRONZE
A-209	1/2"	2/8	\$13.13	Call for Price and Avail.
		3/0	\$14.28	
		6/0	\$27.44	



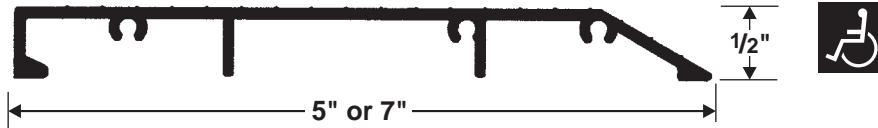
PART #	HEIGHT	NOMINAL LENGTH	MILL FINISH	BRONZE
A-245NB	1/2"	2/8	\$13.07	Call for Price and Avail.
		3/0	\$14.12	
		6/0	\$27.33	

A-206NB and A-207NB Available-Call for Pricing



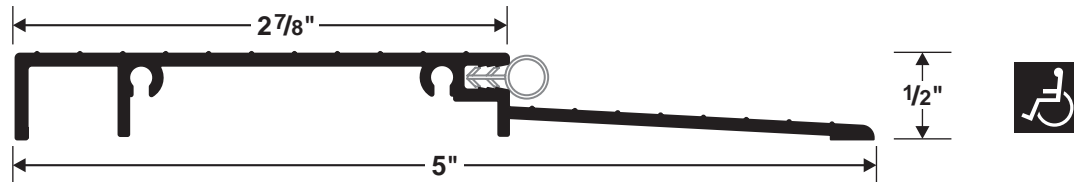
PART #	HEIGHT	NOMINAL LENGTH	MILL FINISH	BRONZE
A-204	1/2"	2/8	\$13.07	Call for Price and Avail.
		3/0	\$14.12	
		6/0	\$27.33	

# HANDICAP SILLS



PART #	HEIGHT	NOMINAL LENGTH	MILL FINISH	BRONZE
A-205T	1/2"	2/8	\$13.07	Call for Price and Avail.
		3/0	\$14.12	
		6/0	\$27.33	

A-207T Available-Call for Pricing

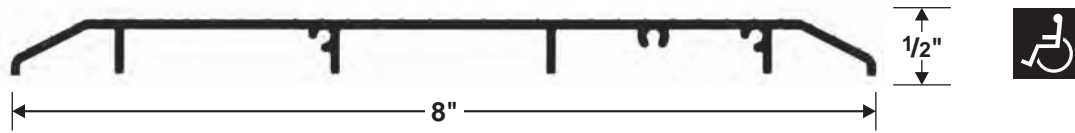


PART #	HEIGHT	NOMINAL LENGTH	MILL FINISH	BRONZE
A-204T Bumper	1/2"	2/8	\$27.95	Call for Price and Avail.
		3/0	\$31.45	
		6/0	\$64.45	

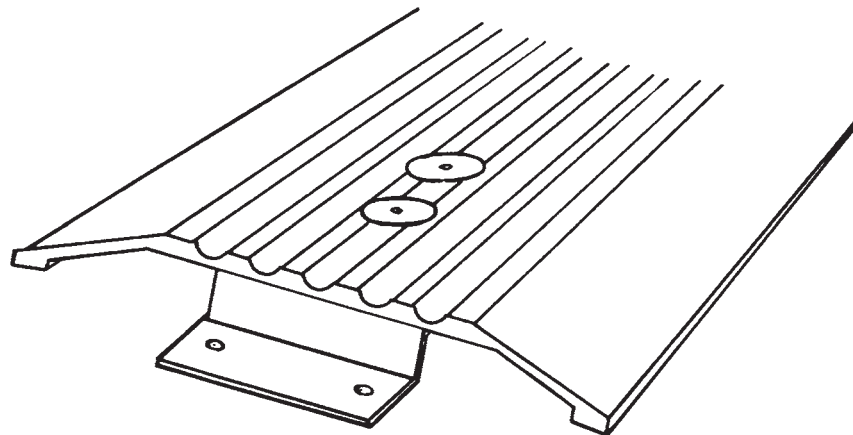


PART #	HEIGHT	NOMINAL LENGTH	MILL FINISH	BRONZE
A-202	1/2"	2/8	\$19.90	Call for Price and Avail.
		3/0	\$22.39	
		6/0	\$44.85	

# HANDICAP SILLS



PART #	HEIGHT	NOMINAL LENGTH	MILL FINISH	BRONZE
A-208	1/2"	2/8	\$27.95	Call for Price and Avail.
		3/0	\$31.45	
		6/0	\$64.45	



**All Handicap Thresholds are available with an optional Mounting Bracket for attachment to jambs in lieu of screw-boss installation.**

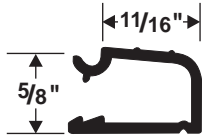
PART	ADDER/THRESHOLD
MOUNTING BRACKET	\$ 6.25

**Optional holes will be drilled and counter-sunk. 10¢ per hole Net**

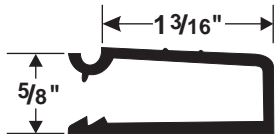
# 5° SILL EXTENDERS



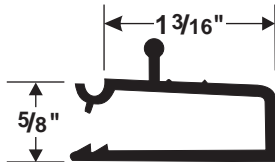
FITS INSWING & OUTSWING SILLS A-111, A-117, A-119, A-125, A-276, A-280, A-496 P-2000, P-2184, P-2284, & SIDELITE SILLS



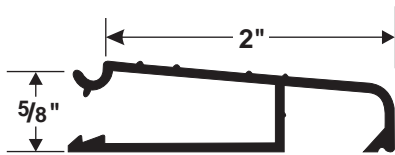
PART #	SIZE	LENGTH	MILL FINISH	BRONZE/ BRITE BRASS
A-112B	3/4"	2/8	\$ 4.87	\$ 8.72
		3/0	\$ 5.08	\$ 8.82
		6/0	\$10.28	\$17.79



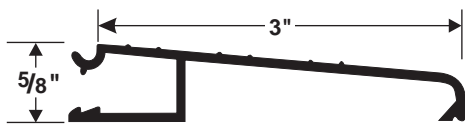
PART #	SIZE	LENGTH	MILL FINISH	BRONZE/ BRITE BRASS
A-140B	1 1/4"	2/8	\$ 4.73	N/A
		3/0	\$ 4.94	N/A
		6/0	\$ 9.87	N/A



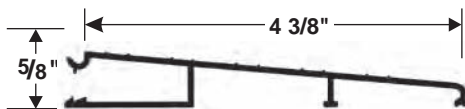
PART #	SIZE	LENGTH	MILL FINISH	BRONZE
A-140S	1 1/4"	6/0	\$10.43	N/A



PART #	SIZE	LENGTH	MILL FINISH	BRONZE/ BRITE BRASS
A-112C	2"	2/8	\$ 6.44	\$10.21
		3/0	\$ 6.64	\$10.41
		6/0	\$13.44	\$21.18



PART #	SIZE	LENGTH	MILL FINISH	BRONZE/ BRITE BRASS
A-112E	3"	2/8	\$ 7.88	\$11.82
		3/0	\$ 8.19	\$12.25
		6/0	\$16.20	\$23.79



PART #	SIZE	LENGTH	MILL FINISH	BRONZE
A-112F	4 3/8"	2/8	\$13.70	\$19.46
		3/0	\$15.40	\$21.34
		6/0	\$30.75	\$41.85

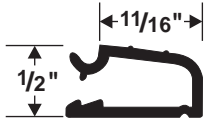
SPECIAL LENGTHS AVAILABLE SUBJECT TO INQUIRY

0609

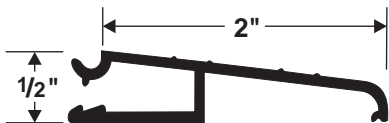
# 6/7° SILL EXTENDERS



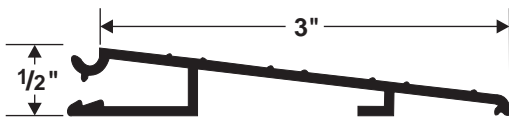
**FITS INSWING SILLS A-196, A-296, A-149, P-6916, A-271**



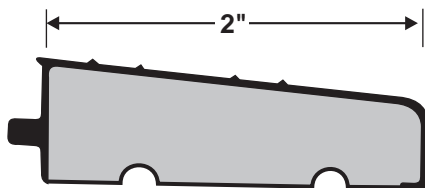
PART #	SIZE	LENGTH	MILL FINISH	BRONZE/ BRITE BRASS
A-127B	3/4"	2/8	\$ 4.87	\$ 8.61
		3/0	\$ 5.08	\$ 8.82
		6/0	\$10.28	\$17.79



PART #	SIZE	LENGTH	MILL FINISH	BRONZE/ BRITE BRASS
A-127C	2"	2/8	\$ 6.44	\$10.21
		3/0	\$ 6.64	\$10.41
		6/0	\$13.44	\$21.18



PART #	SIZE	LENGTH	MILL FINISH	BRONZE/ BRITE BRASS
A-127E	3"	2/8	\$ 7.88	\$11.82
		3/0	\$ 8.19	\$12.25
		6/0	\$16.20	\$23.79

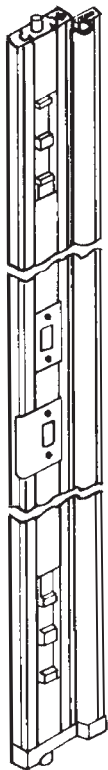
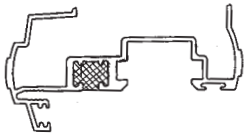


**FITS ASAP SILLS**

PART #	SIZE	LENGTH	SILVER	DK. BRONZE
AP2X with tape	2"	2/8	N/A	\$ 6.00
		3/0	N/A	\$ 6.00
		6/0	N/A	\$12.60

0609

# T-ASTRAGALS



(Left-Hand Shown)

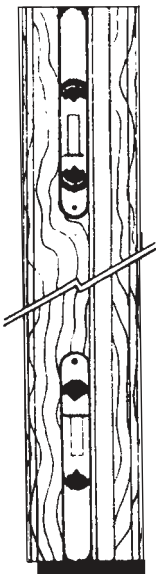
## EXTERIOR - ALUMINUM (White) For 1 3/4" Door

PART #	WEATHERSTRIP	LENGTH	THERMAL	NON-THERMAL
T-200 ALUMINUM	NONE	UP TO 79 1/2"	\$65.25	\$59.96
		96"	\$70.53	\$65.25
T-200 ALUMINUM	FOAM FW600 or DD 400	UP TO 79 1/2"	\$67.12	\$61.83
		96"	\$72.40	\$67.12
T-200 ALUMINUM	MAGNETIC DD500	UP TO 79 1/2"	\$71.37	\$66.08
		96"	\$76.65	\$71.37

COMPLETE WITH ALL MOUNTING HARDWARE  
(96" INCLUDES ONE SHORT AND ONE 18" LONG FLUSH BOLT)  
Available left-hand, right-hand or non-handed

	PILE WEATHERSTRIP	LOCKING BOLTS	DADE COUNTY CERTIFICATION
SPECIAL OPTIONS	Conceals Reveal \$1.25 Net	\$2.00 Net	\$12.00 Net

	PAINTABLE/STAINABLE ALUMINUM ASTRAGALS	4 WAY ADJUSTABLE STRIKE & DEADBOLT	LONG REACH .730 CHOC. WEATHERSTRIP & WEDGE CORNER PAD
SPECIAL OPTIONS	\$15.00 Net	\$.50 Net	\$.75 Net



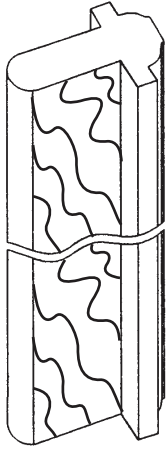
## EXTERIOR - PINE For 1 3/4" Door

PART #	WEATHERSTRIP	LENGTH	CLEAR	FINGER JOINT
T-100 PINE	NONE	UP TO 84"	\$74.57	\$54.74
		96"	\$86.57	\$64.74
T-100 PINE	FOAM FW600 or DD400	UP TO 84"	\$76.44	\$56.61
		96"	\$88.44	\$66.61

INCLUDES BOOT AND 2 BRASS FLUSH BOLTS  
CALL FOR PRICE ON 18" LONG FLUSH BOLT & HAND MUST BE GIVEN

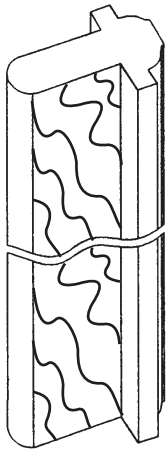
0609

# T-ASTRAGALS



## INTERIOR - PINE For 1 3/8" Door

PART #	LENGTH	WITHOUT FLUSH BOLT	WITH ONE FLUSH BOLT
T-250 CLEAR PINE	UP TO 84"	\$38.84	\$42.31
	96"	\$44.56	\$50.81



## INTERIOR/EXTERIOR - PINE For 1 3/4" Door

PART #	LENGTH	WITH ONE FLUSH BOLT
T-251 CLEAR PINE	96"	\$83.35

### OPTIONS FOR WOOD T-ASTRAGALS

White Primer	+ \$ 4.50
No Flush Bolts	- < \$ 3.47>
18" Flush Bolts	\$ CALL
Flip Lock	+ \$ 1.40
Installed Bolt Keeper for 18" Route	+ \$ 2.95

### FLUSHBOLT COLOR OPTIONS

Bright Brass	\$2.58 Net	Antique Brass	\$4.64 Net
Brushed Chrome	\$4.64 Net	Bright Chrome	\$4.64 Net
Antique Nickel	\$4.64 Net	Satin Nickel	\$4.64 Net
Oil Rubbed Bronze	\$4.64 Net	Colonial Bronze	\$4.64 Net

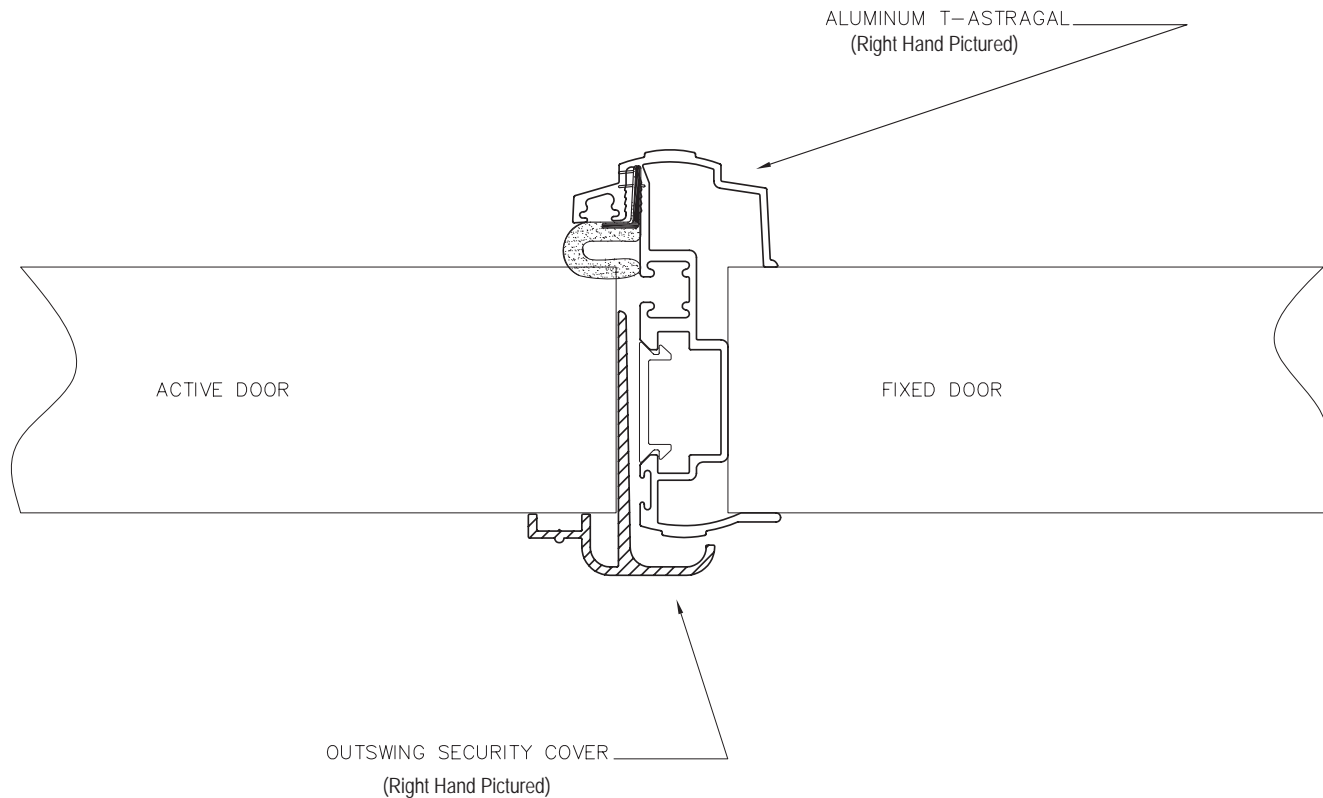
Please specify 18" bolt route

# SECURITY COVER



## OUTSWING SECURITY COVER FOR 1 3/4" DOOR

**Cover is punched for lock and dead bolt.  
 Drilled for mounting screws  
 Screws included  
 Confirm Right or Left Hand**



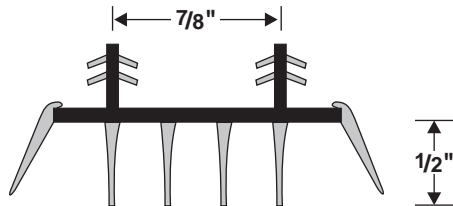
PART #	LENGTH	WHITE
SC-200	Up To 80 1/2"	\$20.25
	Up To 97"	\$26.84

# DOOR BOTTOMS, DOOR SWEEPS

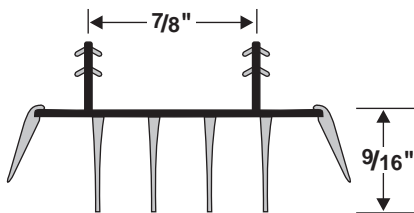


## FEATURES INCLUDE

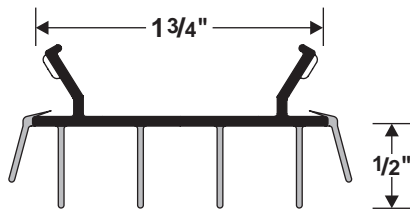
- For 1 3/4" Door
- Notched



PART #	BOX COUNT	FITS DOOR TYPE	NOMINAL LENGTH	CHOCOLATE/ BEIGE
DD-350	25	1 3/4"	2/8	\$ 2.22
			3/0	\$ 2.36

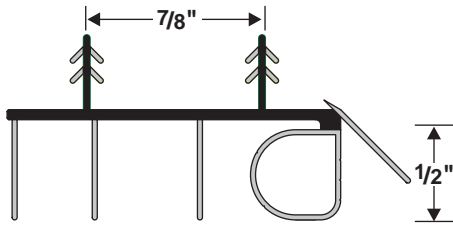


PART #	BOX COUNT	FITS DOOR TYPE	NOMINAL LENGTH	CHOCOLATE/ BEIGE
DD-354	25	1 3/4"	2/8	\$ 2.22
			3/0	\$ 2.36

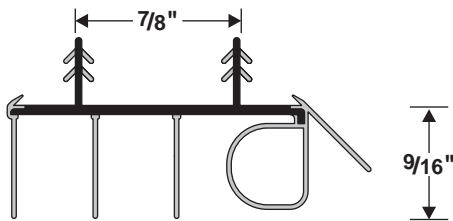


PART #	BOX COUNT	FITS DOOR TYPE	NOMINAL LENGTH	CHOCOLATE/ BEIGE
DD-325	40	1 3/4"	2/8	\$ 2.22
			3/0	\$ 2.36

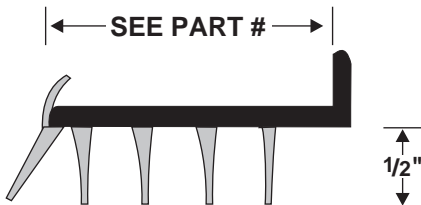
# DOOR BOTTOMS, DOOR SWEEPS



PART #	BOX COUNT	FITS DOOR TYPE	NOMINAL LENGTH	CHOCOLATE/BEIGE
DD-352	25	1 3/4"	2/8	\$ 2.22
			3/0	\$ 2.36



PART #	BOX COUNT	FITS DOOR TYPE	NOMINAL LENGTH	CHOCOLATE/BEIGE
DD-358	25	1 3/4"	2/8	\$ 2.22
			3/0	\$ 2.36



PART #	BOX COUNT	FITS DOOR TYPE	NOMINAL LENGTH	CHOCOLATE/BEIGE
DD-225	40	1 3/4"	2/8	\$ 2.22
			3/0	\$ 2.36

PART #	BOX COUNT	FITS DOOR TYPE	NOMINAL LENGTH	CHOCOLATE/BEIGE
DD-214	(CHOC ONLY) 20	2 1/4"	4/0	\$ 5.50

PART #	BOX COUNT	FITS DOOR TYPE	NOMINAL LENGTH	CHOCOLATE/BEIGE
DD-238	40	1 3/8"	3/0	\$ 3.61

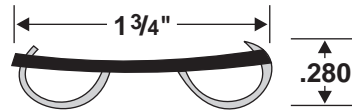
0609

# SPECIAL ORDER

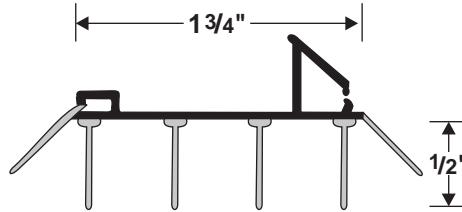


Call for Pricing & Minimum Quantities  
(For 1 3/4" Door)

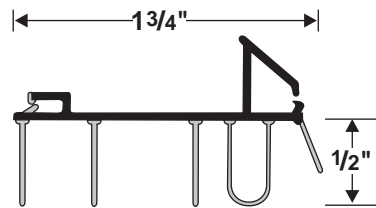
**PART #**  
**DD-200**



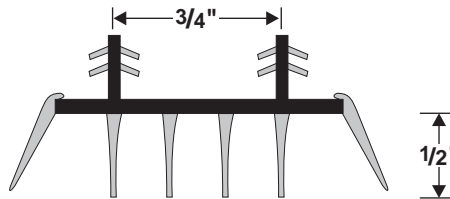
**PART #**  
**DD-326**



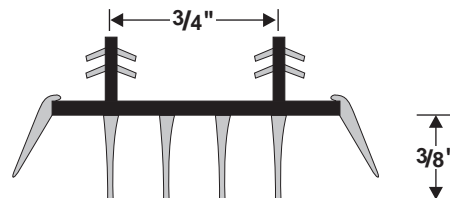
**PART #**  
**DD-327**



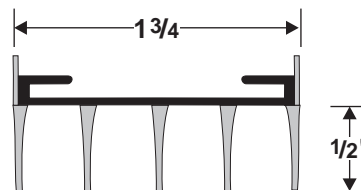
**PART #**  
**DD-351**



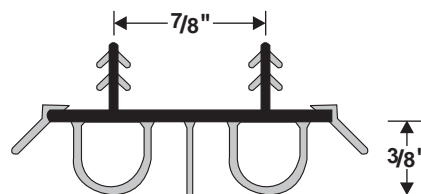
**PART #**  
**DD-351SF**



**PART #**  
**DD-375**

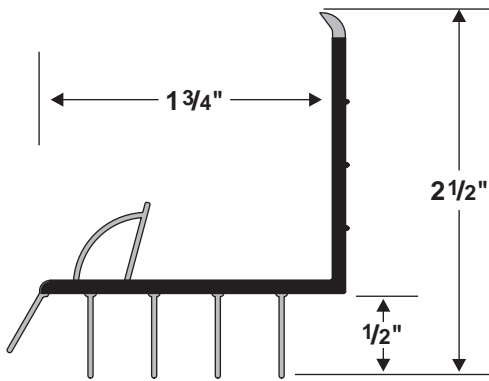


**PART #**  
**DD-600**



0609

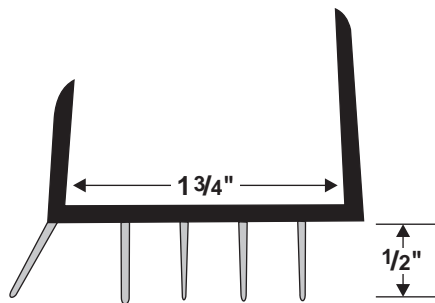
# DOOR BOTTOMS, DOOR SWEEPS



w/Painted Fasteners

PART #	BOX COUNT	FITS DOOR TYPE	NOMINAL LENGTH	CHOCOLATE/BEIGE/WHITE
DD-175 ADJUSTABLE	25	1 3/4"	2/8	\$ 4.15
			3/0	\$ 4.35
			4/0	\$ 5.79

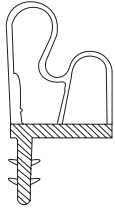
Deduct \$.05 For No Fasteners



PART #	BOX COUNT	FITS DOOR TYPE	LENGTH	CHOCOLATE & WHITE
DD-PUC ADJUSTABLE	25	1 3/4"	35 3/4"	\$ 5.50
			2/8	\$ 4.89
			3/0	\$ 5.50
			4/0	\$ 7.33

Screws and Holes Optional

# WEATHERSTRIP



PART #	TYPE	LENGTH	CHOCOLATE/ BEIGE	CARTON PACK
DD-400	COMPRESSION VINYL	36"	\$1.75	100
		81"	\$3.93	75
		96"	\$4.66	75



PART #	TYPE	LENGTH	BEIGE	CARTON PACK
DD-500	MAGNETIC VINYL	37"	\$1.90	75
		81"	\$4.27	75
		97"	\$5.06	75



PART #	TYPE	LENGTH	CHOCOLATE BEIGE/WHITE	CARTON PACK
FW-600	FOAM/ TPE COVERING	37"	\$ .70	300
		81"	\$2.00	150
		97"	\$2.69	125

Full Skid of 81" FW-600 = 2250 Pcs



PART #	TYPE	LENGTH	CHOCOLATE BEIGE/WHITE	CARTON PACK
FW-600	FOAM/ TPE COVERING	500 ft.	\$157.70	1 Roll Per Ctn.

\*Call For Long Reach w/strip Availability

# SILL OPTIONS



	CORNER/ "L" NOTCH	DOUBLE JAMB DADO	MULLION NOTCH	TRIPLE NOTCH
<b>NOTCHING/DADO</b>	\$1.00/SILL	\$6.25 EACH	\$6.25 EACH	\$2.00/SILL

SEE TECHNICAL DRAWINGS SECTION FOR DETAILS

	MILL FINISH	BRONZE/ BRITE BRASS
<b>2" HORNS</b>	\$3.00/SILL	\$4.50/SILL

SEE TECHNICAL DRAWINGS SECTION FOR DETAILS

	MILL FINISH	BRONZE/ BRITE BRASS
<b>C-NOTCH</b>	\$10.00/SILL	\$12.50/SILL

	76" - 150"
<b>SPECIAL LENGTH</b>	<b>6/0 PRICE X 3</b>

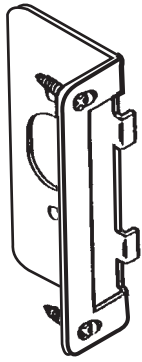
	SILL TYPE	2/8 - 3/0	6/0
<b>COMPOSITE SUBSTRATE ADDER</b>	<b>ALL</b>	<b>\$3.00</b>	<b>\$6.00</b>

	LENGTH	RISER ONLY	FULL
<b>PROTECTIVE TAPE APPLIED</b>	2/8-3/0	\$ .70	\$3.23
	6/0	\$1.40	\$6.54
<b>PROTECTIVE TAPE ROLLS</b>	2" X 60 YDS.		6" X 360 YDS.
	\$32.00		\$98.00

ALL PRICES ARE LIST

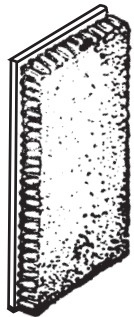
0609

# ACCESSORIES



## SHIPPING BRACKET w/4 #6-3/4" Screws

PART #	PRICE EA.	BOX PACK
SB-700	\$ .67	250 Pieces



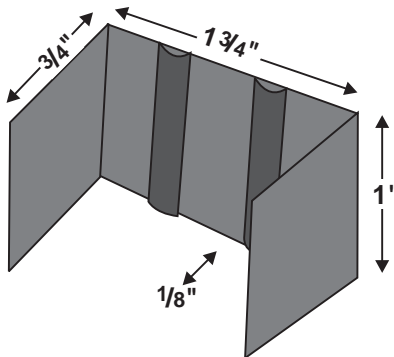
## CORNER PADS

PART #	WHITE	BOX PACK
CP-23	\$ .30/Each	500



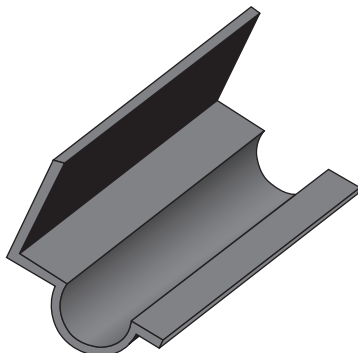
## END SEALS

PART #	PRICE/PAIR	BOX PACK
ES-65	\$ .57	5000 Pair



## PLASTIC MARGIN SPACER FOR 1 3/4" DOOR Keeps 1/8" Revel Around Door

PART #	PRICE EA.	BOX PACK
DMS-134	\$ .07	3000 Pieces



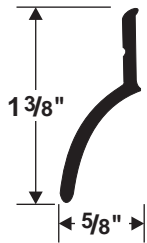
## SKID PLATE

PART #	PRICE/PAIR	BOX PACK
SP-412	\$ .40	500 Pieces

ALL PRICES ARE LIST

0609

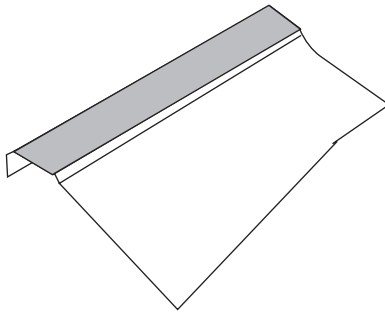
# ACCESSORIES



## DRIP CAP

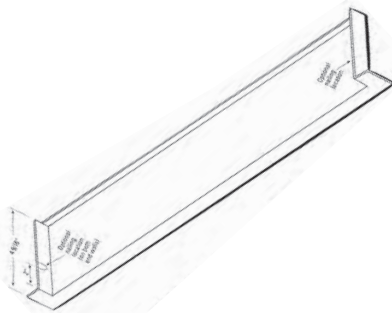
PART #	TYPE	NOMINAL LENGTH	MILL FINISH
2312	ALUMINUM	2/8	\$7.33
		3/0	\$7.63

## SILL COVER (Specify Height)



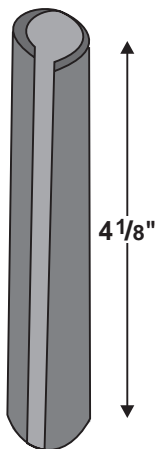
PART #	WIDTH	PRICE EA.	INSTALLED	BOX PACK
SG496	4 9/16"	\$ 2.85	\$ 2.98	45 Pieces
SG558	5 5/8"			

## DOOR SILL PAN For 4 9/16" Jamb



PART #	ID	OD	BOX PACK	NET BOX PRICE
SP3375-4	33 3/4"	33.92"	20 pcs per box	\$123.00
SP3775-4	37 3/4"	37.92"	20 pcs per box	\$134.00
SP5975-4	59 3/4"	59.92"	10 pcs per box	\$79.00
SP6225-4	62 1/4"	62.42"	10 pcs per box	\$79.00
SP7175-4	71 3/4"	71.92"	10 pcs per box	\$89.00
SP7425-4	74 1/4"	74.42"	10 pcs per box	\$89.00

Other lengths available with special quote.  
6 9/16" available with special quote.



## PLASTIC HINGE PROTECTOR Snap On Style

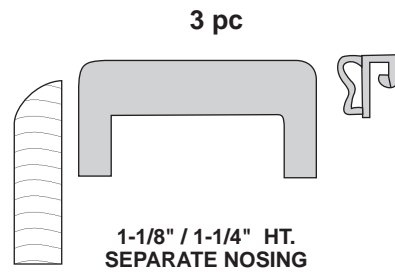
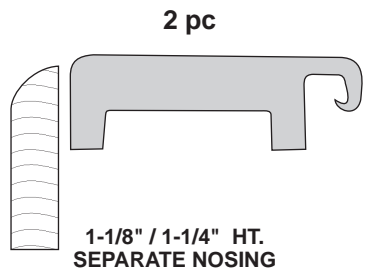
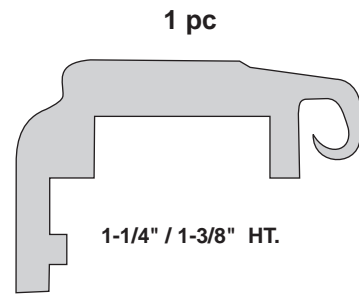
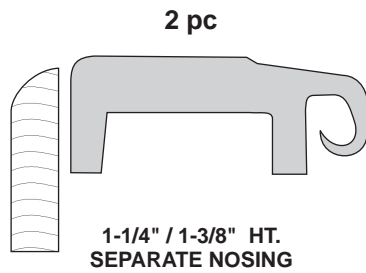
PART #	PRICE EA.	BOX PACK
HP-412	\$ .09	1500 Pieces

# SYNTHETIC RISER CHOICES

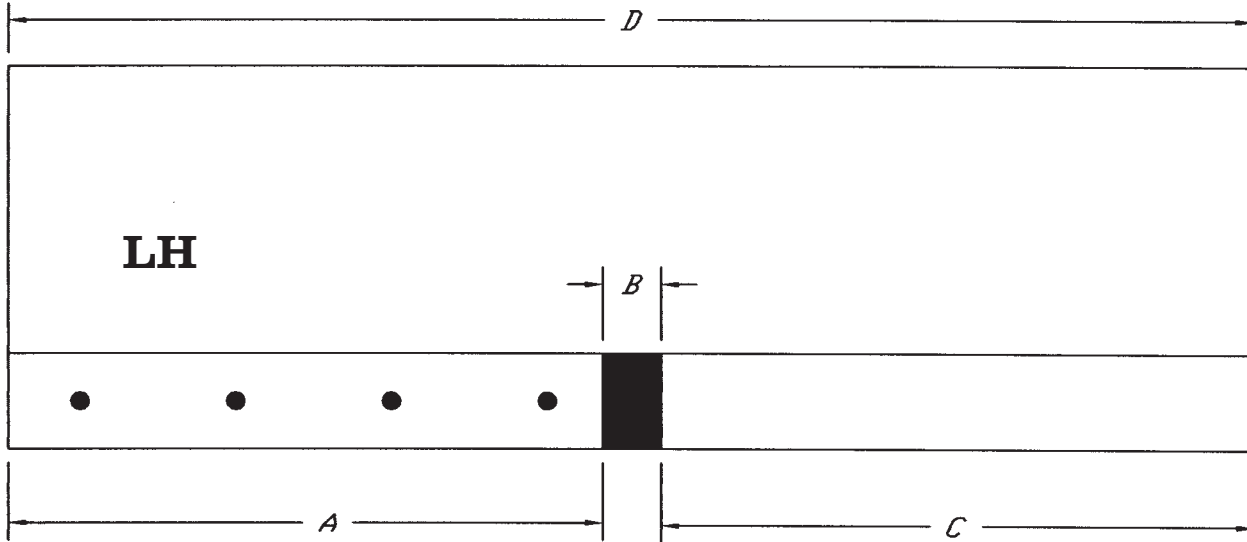


## AVAILABLE IN:

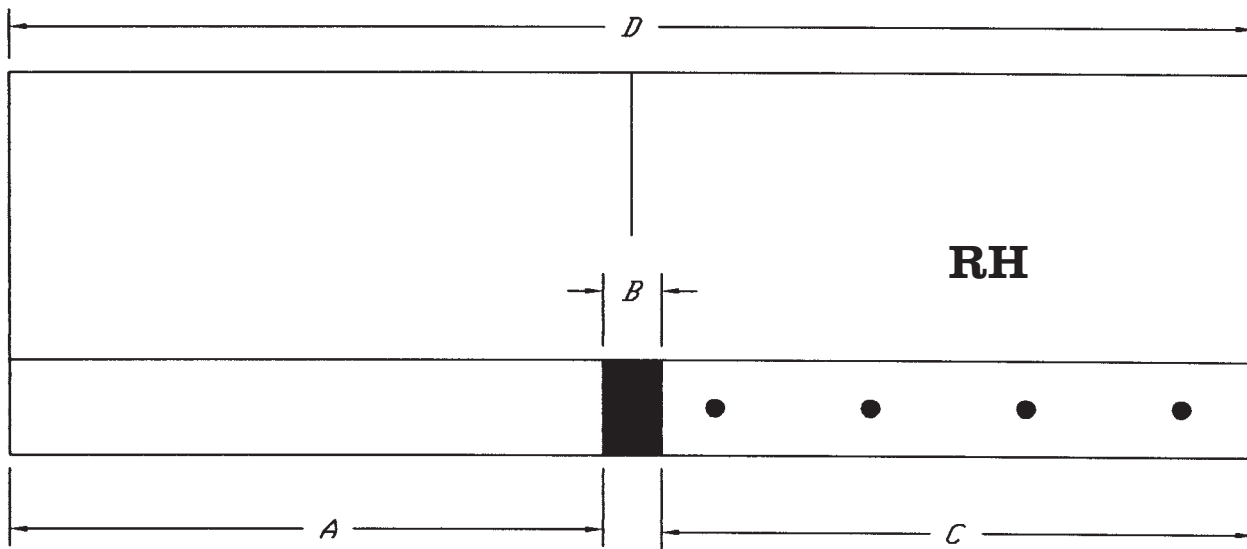
- Woodgrain = WGR
- Chocolate = CCR
- Mahogany = MGR
- Oak = OR
- Aluminum = AR 1PC For 1-1/8" or 1-1/4" 2PC For 1-1/4" or 1-3/8"
- Substitution will be made at discretion of AFCO, if not noted on PO, due to 1pc / 2pc Availability.



# PATIO DOOR SILL SPECIFICATIONS

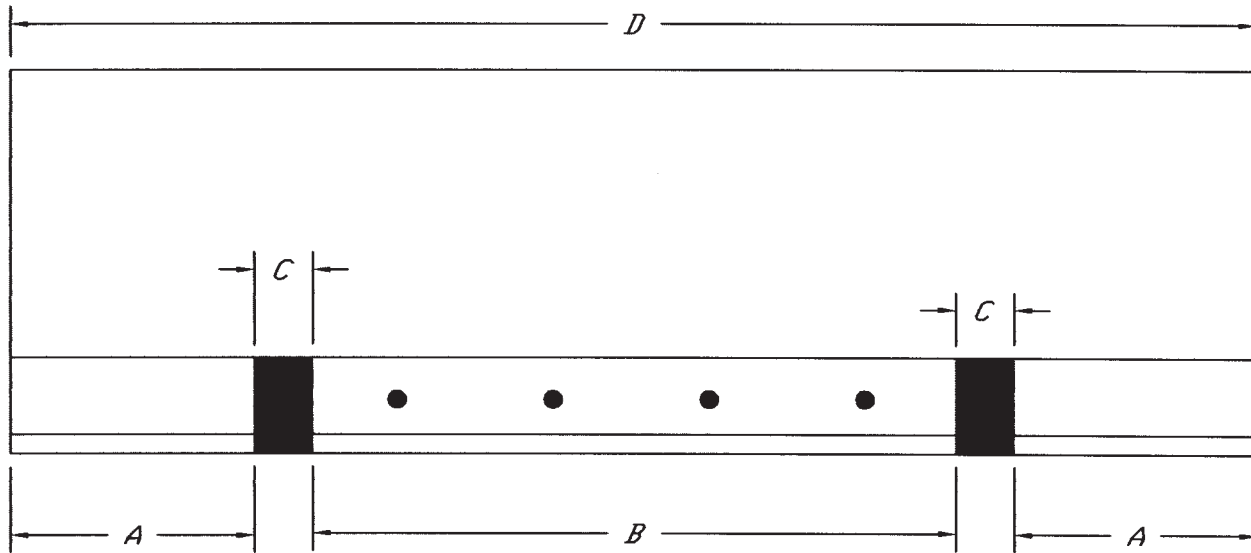


*DIMENSION A* \_\_\_\_\_  
*DIMENSION B* \_\_\_\_\_  
*DIMENSION C* \_\_\_\_\_  
*DIMENSION D* \_\_\_\_\_



*DIMENSION A* \_\_\_\_\_  
*DIMENSION B* \_\_\_\_\_  
*DIMENSION C* \_\_\_\_\_  
*DIMENSION D* \_\_\_\_\_

# CONTINUOUS SIDELITE SPECIFICATIONS

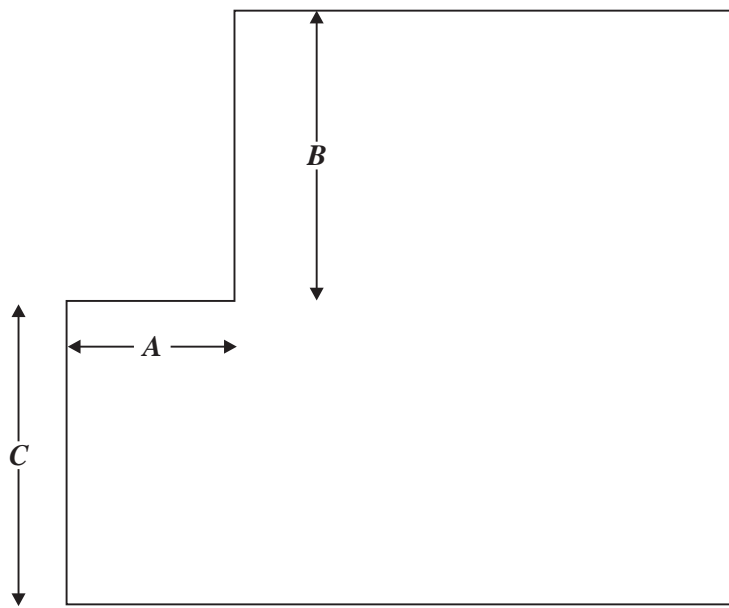


*DIMENSION A* \_\_\_\_\_  
*DIMENSION B* \_\_\_\_\_  
*DIMENSION C* \_\_\_\_\_  
*DIMENSION D* \_\_\_\_\_

# CORNER NOTCH, L-NOTCH, HORNS SPECIFICATIONS

PLEASE INDICATE INTERIOR OR EXTERIOR

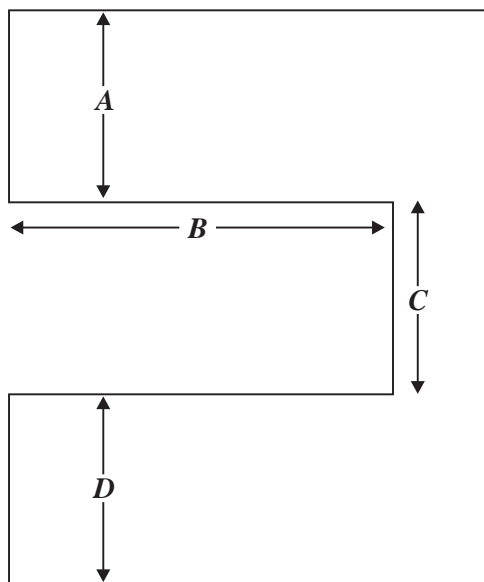
*EXTERIOR OR INTERIOR OF HOUSE*



*DIMENSION A* \_\_\_\_\_  
*DIMENSION B* \_\_\_\_\_  
*DIMENSION C* \_\_\_\_\_

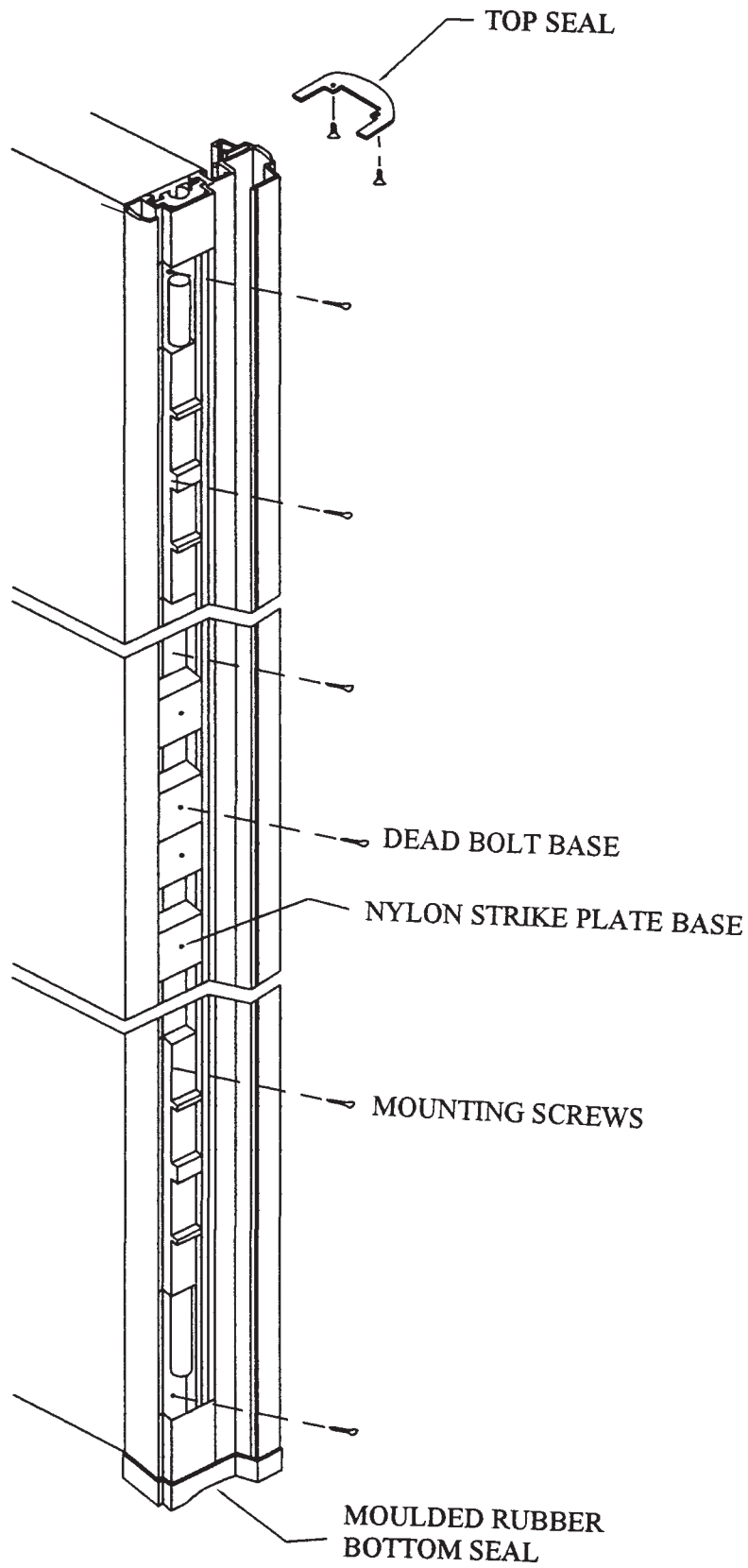
*INTERIOR OR EXTERIOR OF HOUSE*

## C-NOTCH



*DIMENSION A* \_\_\_\_\_  
*DIMENSION B* \_\_\_\_\_  
*DIMENSION C* \_\_\_\_\_  
*DIMENSION D* \_\_\_\_\_

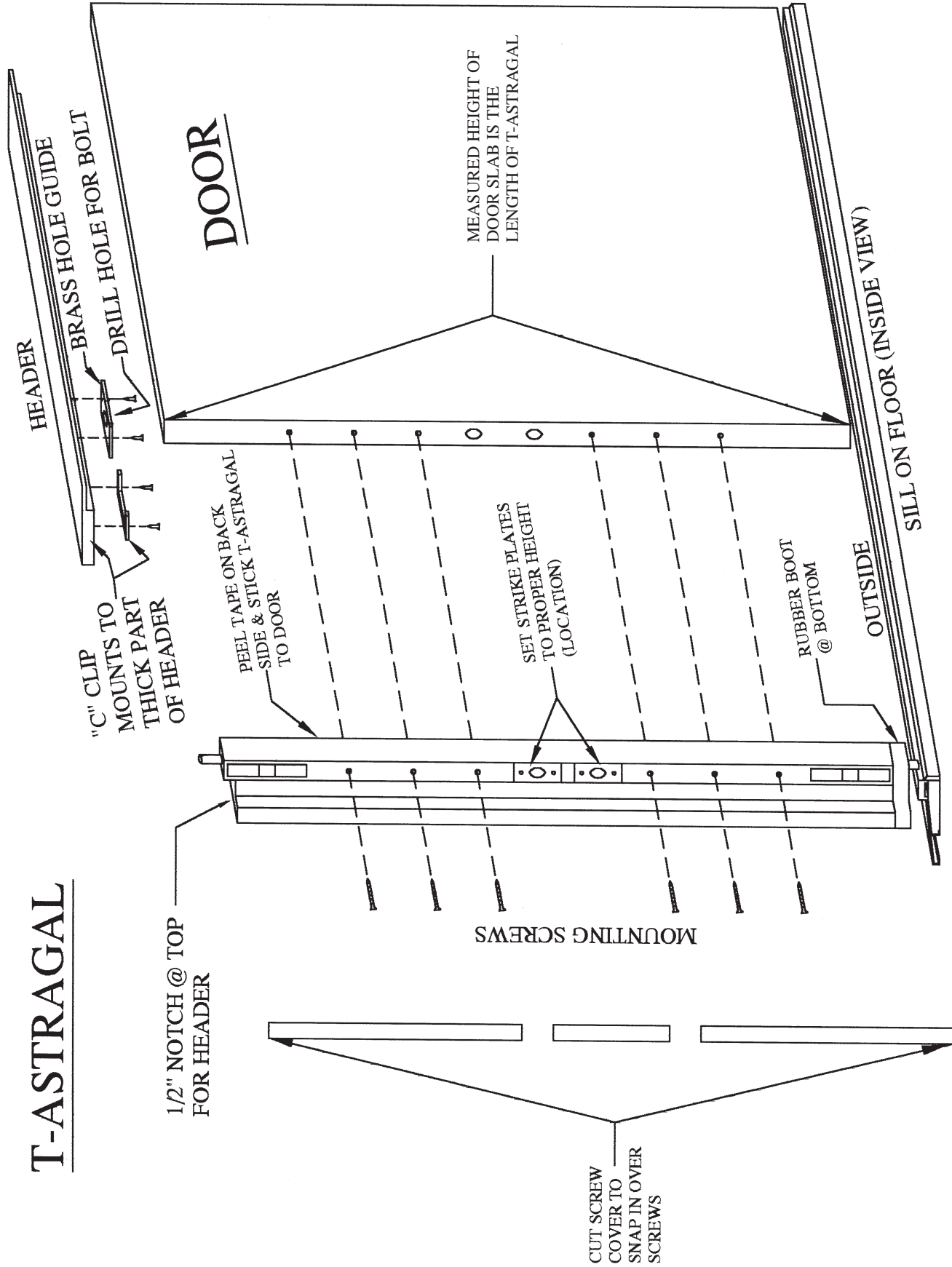
# T ASTRAGAL COMPONENTS



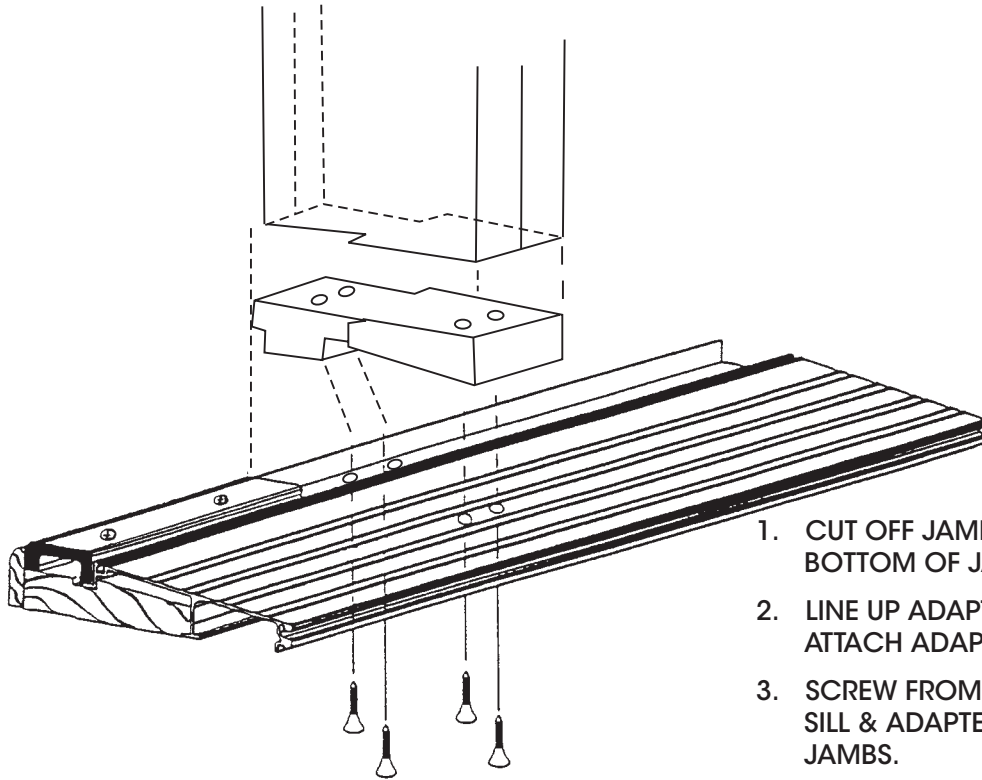
LEFT HAND ASTRAGAL

D

# T-ASTRAGAL

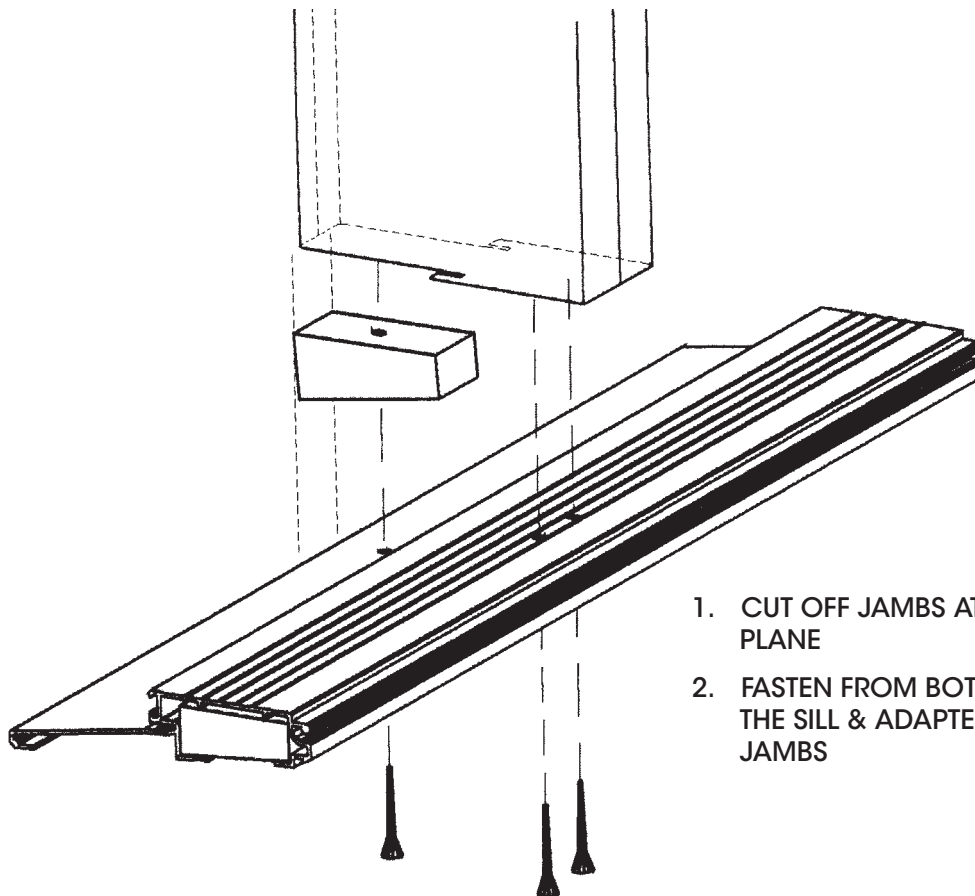


## INSWING DOUBLE JAMB ADAPTER



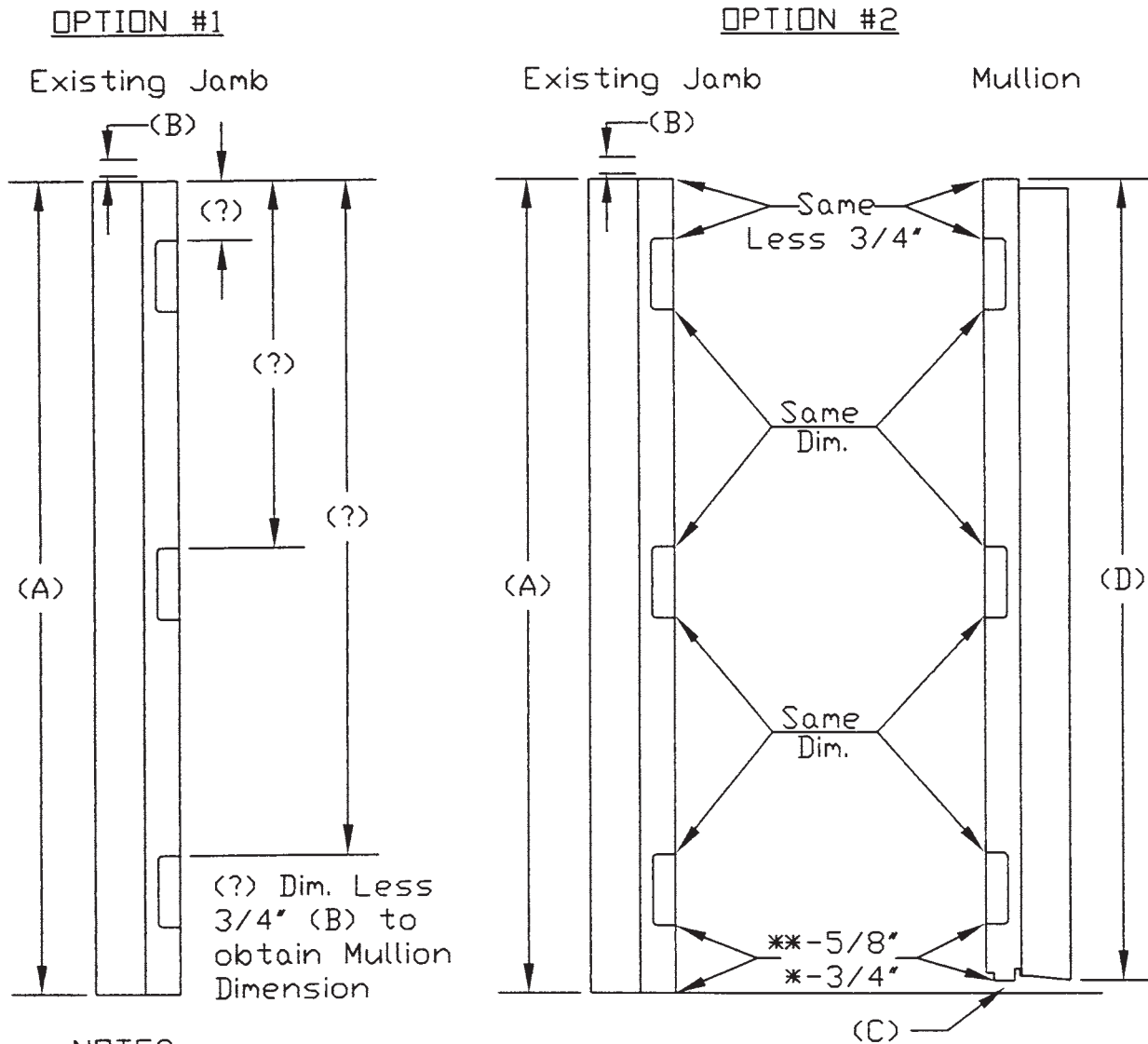
1. CUT OFF JAMBS  $1\frac{1}{8}$ " FROM BOTTOM OF JAMBS
2. LINE UP ADAPTER ON JAMBS & ATTACH ADAPTER WITH FASTENER
3. SCREW FROM BOTTOM THROUGH SILL & ADAPTER INTO DOUBLE JAMBS.

## OUTSWING DOUBLE JAMB ADAPTER



1. CUT OFF JAMBS AT EXISTING DADO PLANE
2. FASTEN FROM BOTTOM THROUGH THE SILL & ADAPTER INTO DOUBLE JAMBS

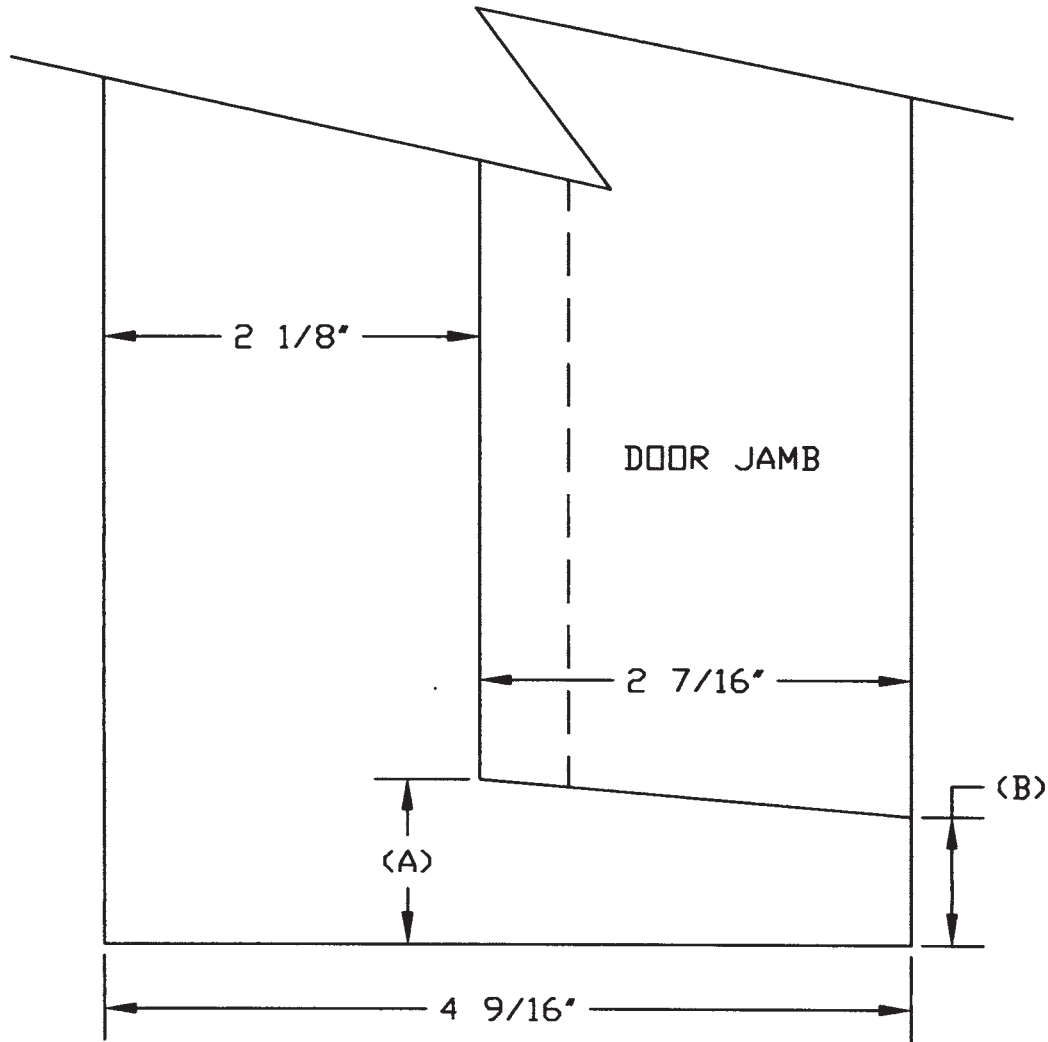
# HOW TO MEASURE A MULLION



## NOTES:

- 1) Existing Jamb Dim.(A)-(B),-(C)= (D) Mullion Dim.
- 2) (B) Represents Header Thickness of 3/4".
- \*\*3) Fixed Sills use 5/8" Dim. for (C).
- \*\*4) Adjustable Sills 1 1/8" & 1 1/4" use 5/8" Dim. for (C).
- \*5) Adjustable Sills 1 3/8" use 3/4" Dim. for (C).
- 6) (C) Represents the Sill Thickness under Mullion

# JAMB PREPARATION



DIMENSIONS FOR JAMB PREPARATION BY SILL

1) A-276	5.0 Deg 4	9/16"	with 5/8"	nose (A)	.854	(B) .625
2) A-280ASAP	5.0 Deg 5	5/8"	with 5/8"	nose (A)	.947	(B) .734
3) P-2000/2184/2284/3284	5.0 Deg 5	5/8"	with 5/8"	nose (A)	.947	(B) .734
4) A-296	6.0 Deg 5	5/8"	with 1/2"	nose (A)	.878	(B) .623